

In-tensive

inno^{fi}

Designer Jouni Leino





IN-TENSIVE

In-Tensive table system was first used in Nokia Research Center in 1998. During the following decade this universally applicable solution for conference needs has proven useful in meeting rooms all over the world. In-Tensive, designed by interior designer Jouni Leino, is the forerunner of modular electrified meeting tables.

Because of the modular structure In-Tensive system gives each customer a chance of tailoring the table for specific needs, environments and demands on mobility. Some components suit modern and classical interiors. The system consists of a wide range of table tops in different shapes, sizes and materials. It has a large variety of leg versions to choose from. With tubular legs table height can be adjusted from 725 up to 775 mm. A spacious cable tray under the table top makes it possible to place electricity and network cables, socket outlets and telephone connections. The structure even makes later changes possible.

High quality is the key line, which Inno has followed in conference furniture. We continuously look for new ways to furnish attractive and functional environments.

Retractable integrated Element One's flat screen monitors can also be installed in In-Tensive tables. The main function of the LCD monitors is inspired by the idea of completely integrating flat screen monitors (TFT LCDs) into surfaces and housings. Monitors seem to appear from nowhere and then miraculously disappear quietly again. See page 23

IN-TAINER

In the conference room surroundings In-Tainer mobile storage unit completes well the In-Tensive family. Gliding doors of matt glass, veneer or mdf in aluminium colour together with lockable castors give it the same distinguished appearance. It has same height as In-Tensive table and therefore can be used also as a side table.

IN-TAINER AV

Specially designed to store technical equipment, as PC, DVD, projectors and such in modern conference surroundings. The back board is removable and has holes for easy access. See page 23





Table shape C, cupboard In-tainer, chair Select Medium



Table shape C, chair C.D. Soft





Table shape S, chair C.D., light



Table shape S, chair Select Stack









Table special shape, chair Select Medium



In-tainer AV



Table shape F, chair Select Medium







Table shape F, chair Solecta





Table Multi, shape S, chair Select Medium



Table Multi, shape C+S, chair Trix





Table shape S, chair Select Medium



Table shape S, chair Select Medium



Table shape C, chair Chico Light



Table shape R, chair Select Largo









Table shape S, chair Select Meeting



Table shape O, chair Slim



Table shape S, chair Select Meeting Extra, chair Chirco Light, Wall Case (back wall)

Modis monitor



Convers double sided



Versis





Convers



Versis & double sided Convers



Versis

With the screen facing upwards, the monitor is lowered electrically into the desk surface. The keyboard sinks down when the monitor is closed. The positioning angle of the monitor when it is completely raised 65°.

Modis

Electrical opening and closing function, screen faces downwards in the closed position, the keyboard is raised when the monitor is opened stepless, electrical adjustment of positioning angle (75° – 90°).

Convers

By pressing the button on the frame, the monitor is electrically lowered into/raised out of the desk surface in a vertical position. Also 2 sided versions.

- LCD screens can be chosen between 15, 17 and 19 inch.
- All versions are micro-polished (brushed) and anodized aluminium/stainless steel and can also be equipped with touch screens for various functions.
- Screen: glass (4 mm, anti-glare).
- VGA interface for connection to all of the standard system available on the market today
- Can be individually integrated or combined in a network

In-Tensive table specifications:

Basic

modular meeting table
 S(rectangular), C(boat shape), O(elliptical), F(rounded edges)
 table: 1000-1500 mm wide
 flaps: 1200, 1500, 1800 or 2000 mm mdf painted
 ends 600-900 mm long

Unit

Round

- 1 R - diameter 1000-1300, flaps 500 mm long, mdf painted
- 1 R - diameter 1400-1500, flaps 800 mm long, mdf painted
- 2 R - diameter 1600-1900, flaps 800 mm long, mdf painted
- 2 R - diameter 2000-2400, flaps 1000 mm long, mdf painted

S(rectangular), C(boat shape), O(elliptical), F(rounded edges)

- 1800-2800 x 1200, flaps 800, 1000, 1200, 1800 mm long, mdf painted
- 1800-2600 x 1290, laminate top, flaps 800, 1000, 1200 mm long, mdf painted
- 2100-2500 x 1500, flaps 1000, 1200 mm long, mdf painted

standard materials:

- top: natural: ash, birch, beech, cherry, mahogany, maple, oak, walnut, wenge veneered
- stained: birch or beech stained black, cherry, grey, mahogany, walnut, wenge colour
- bleached oak
- matt lacquered
- laminate: Perstorp 1040 white, 1015 black and 1944 grey

thickness: S, C, O 39 mm, F 26 mm

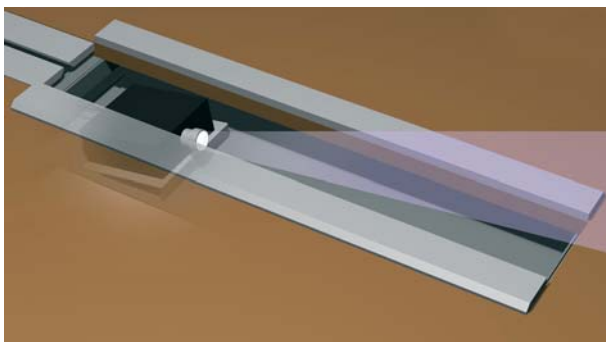
legs: adjustable height of metal legs (epoxy coated or chromed), wooden legs, cover legs
 cable tray: epoxy coated.

Multi

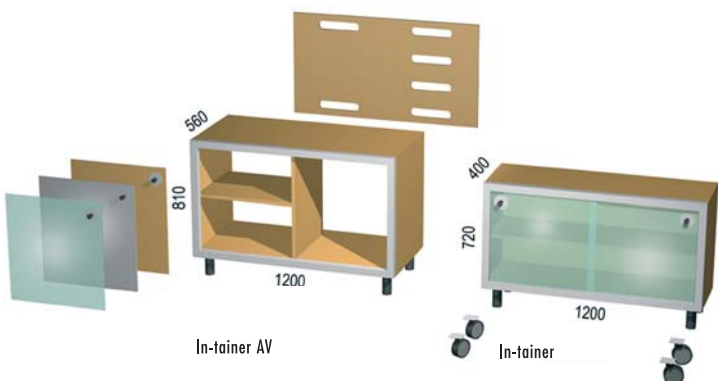
- 1800 x 1200 or 1400 mm
- 2400 x 1200 or 1400 mm
- flaps 1200 long, mdf painted

2 pairs legs (one with wheels)

top: materials same as above
 thickness 26 mm mdf veneered or laminated
 legs and cable tray: materials same as above

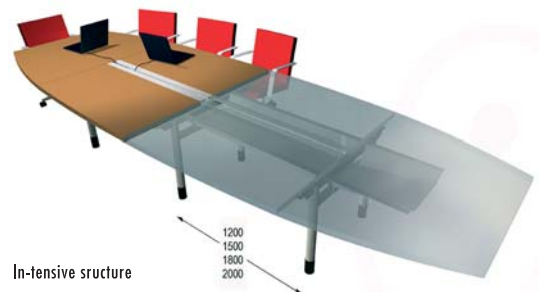


With 95 mm lids (special size) a 210 mm wide (small) projector can be freely placed at the bottom of the cable tray, please check suitability. Console to heighten projector position will be available 2008



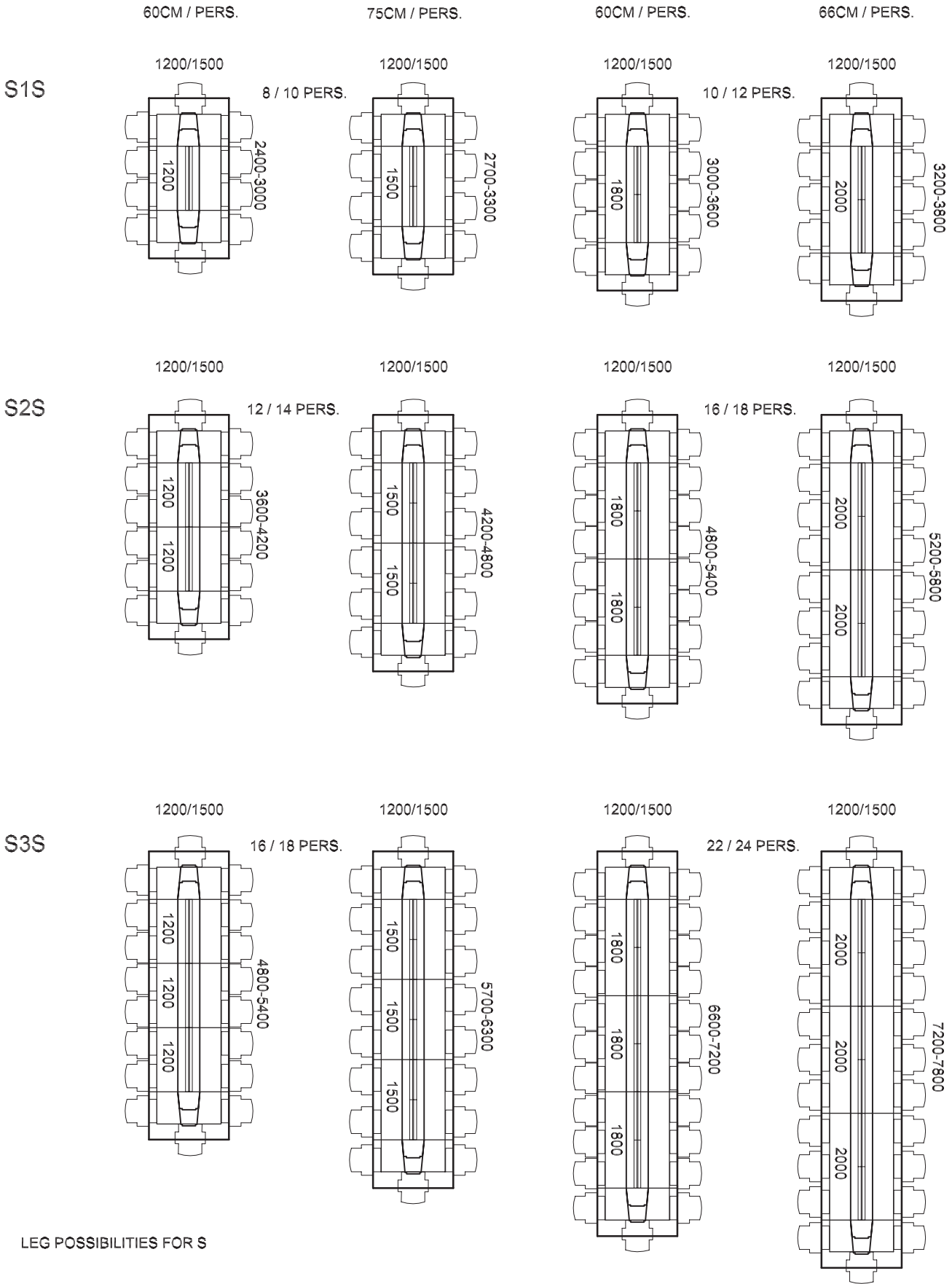
In-tainer AV

In-tainer



In-tensive structure

SHAPE S



LEG POSSIBILITIES FOR S



COVER LEG



METAL LEG



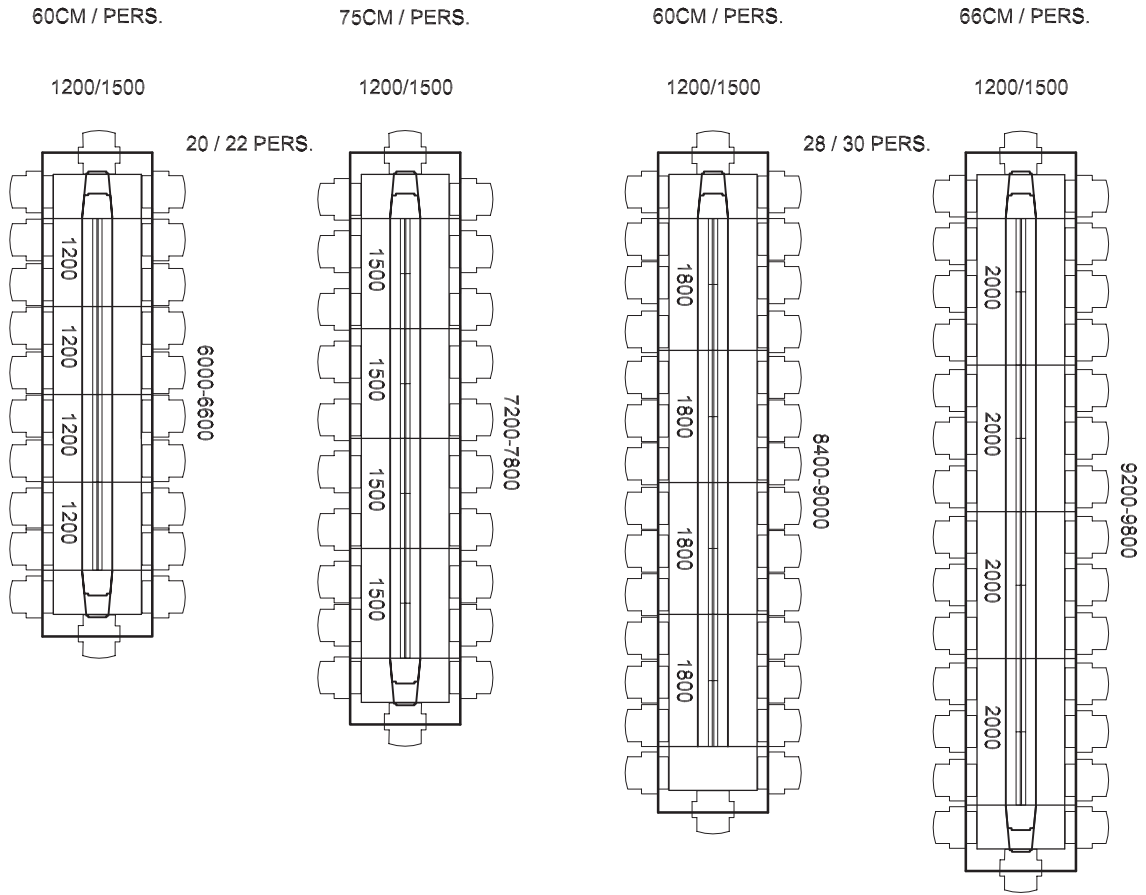
WOOD LEG



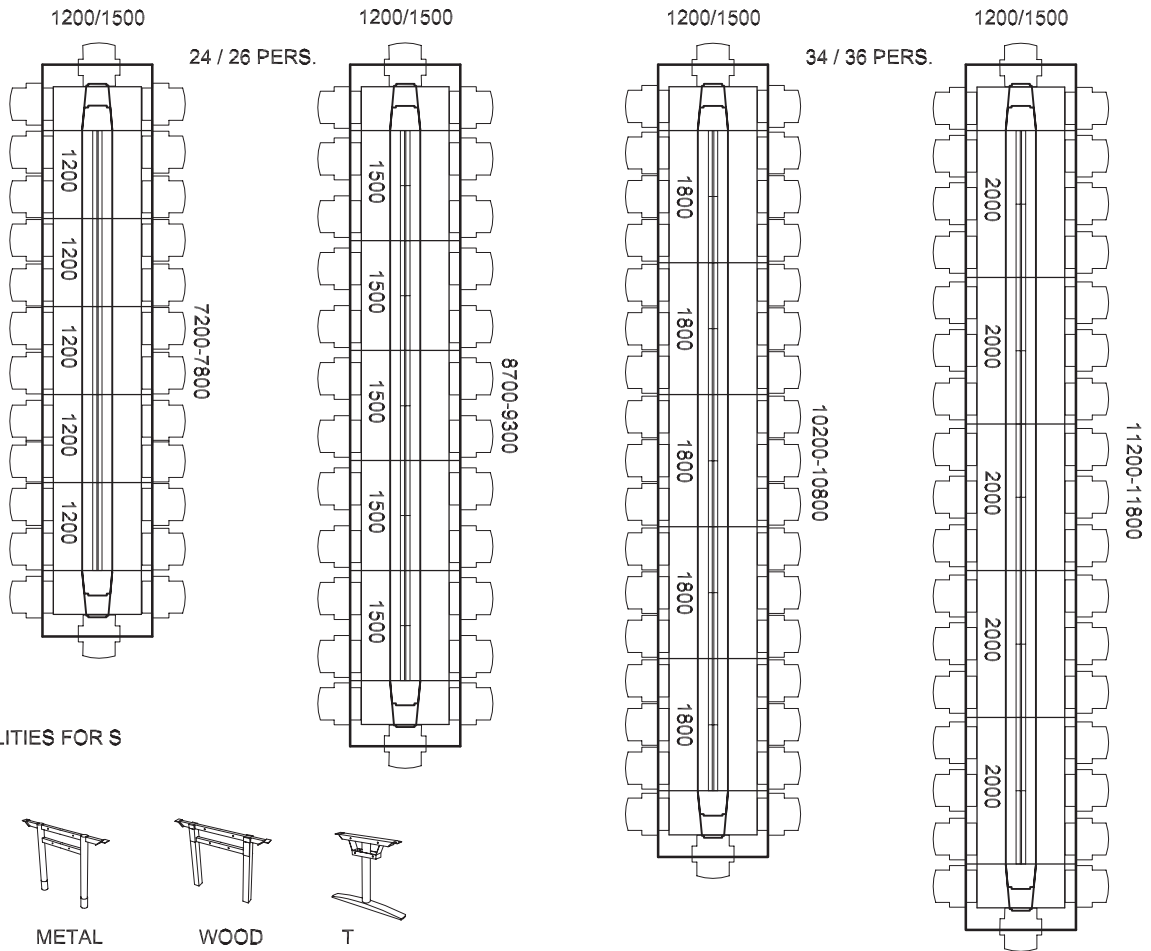
T LEG

SHAPE S

S4S



S5S



LEG POSSIBILITIES FOR S



COVER LEG



METAL LEG

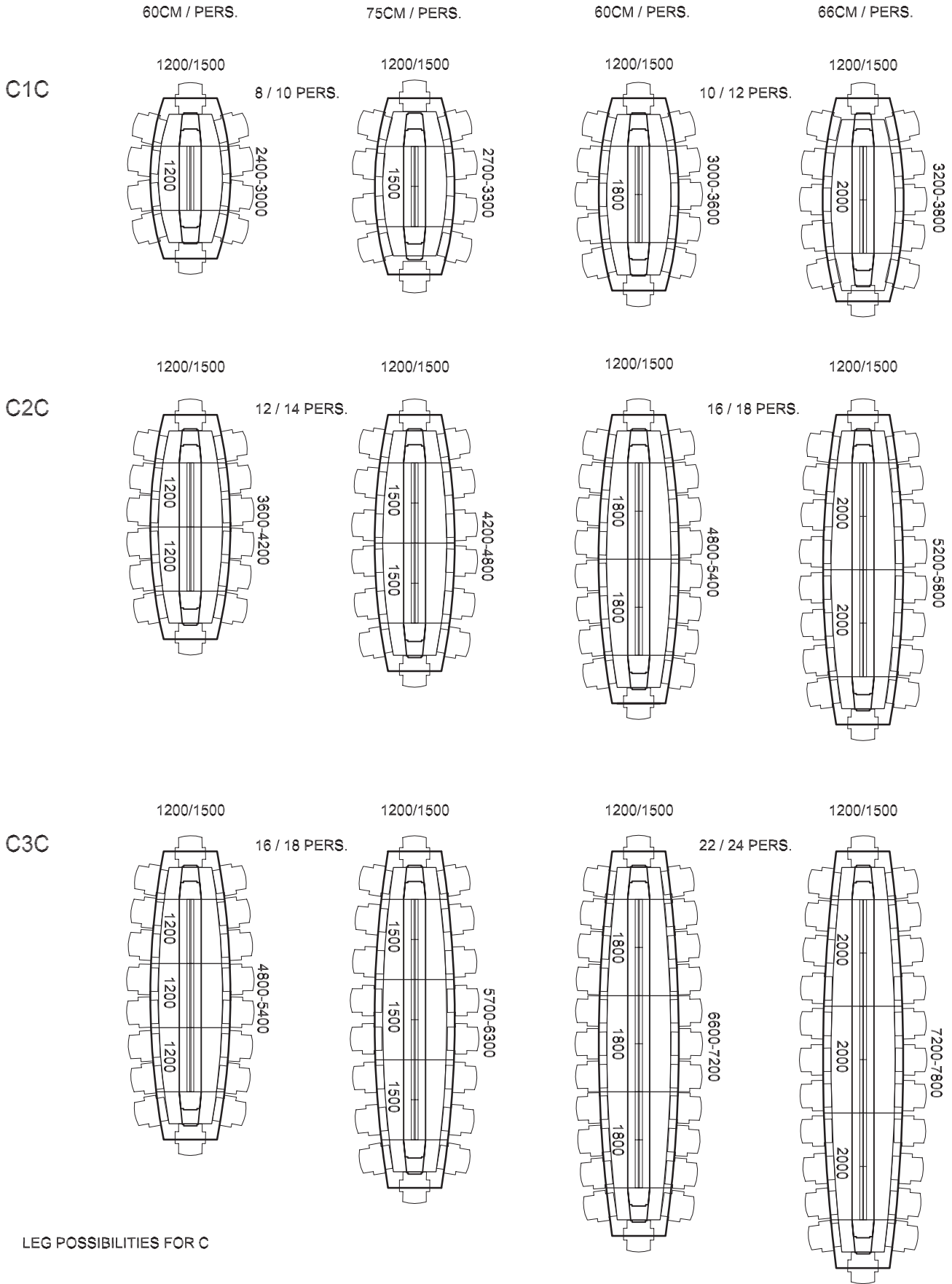


WOOD LEG



T LEG

SHAPE C



LEG POSSIBILITIES FOR C



COVER LEG



METAL LEG



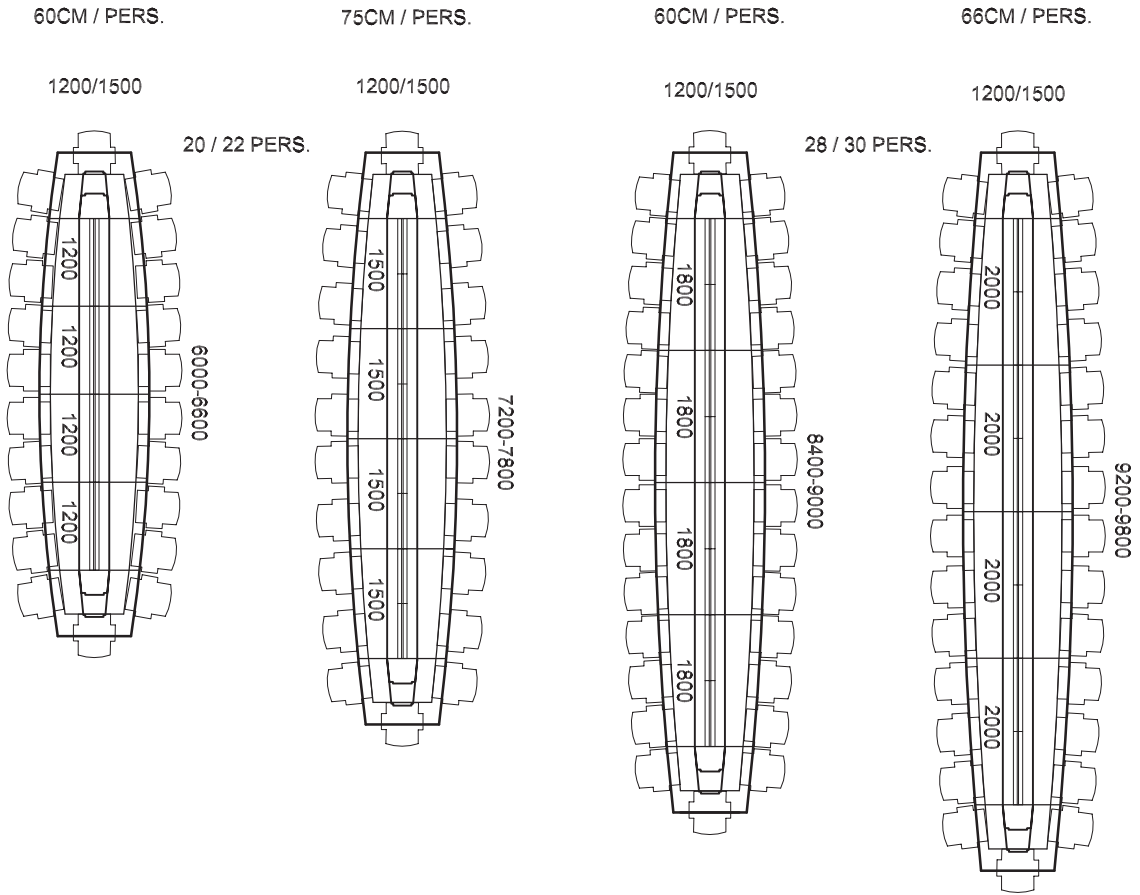
WOOD LEG



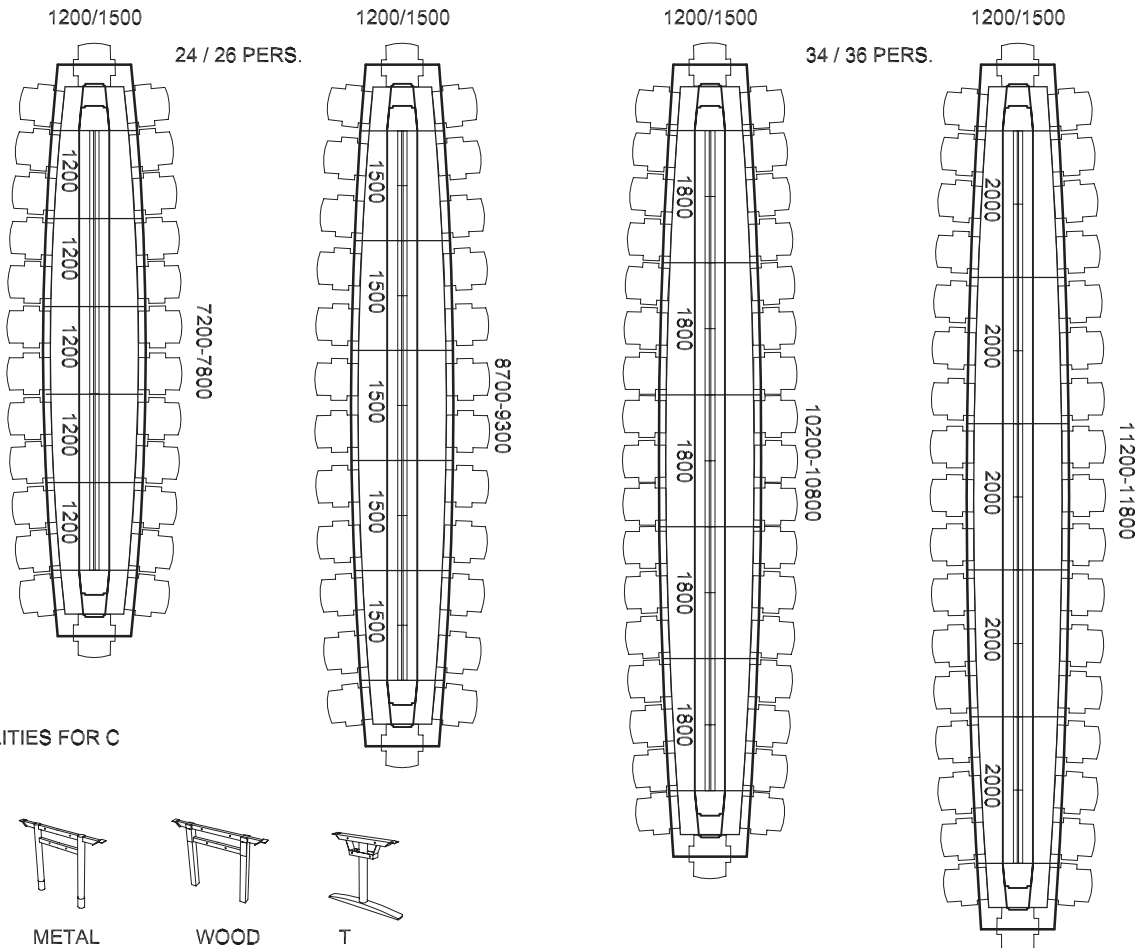
T LEG

SHAPE C

C4C



C5C



LEG POSSIBILITIES FOR C



COVER LEG



METAL LEG

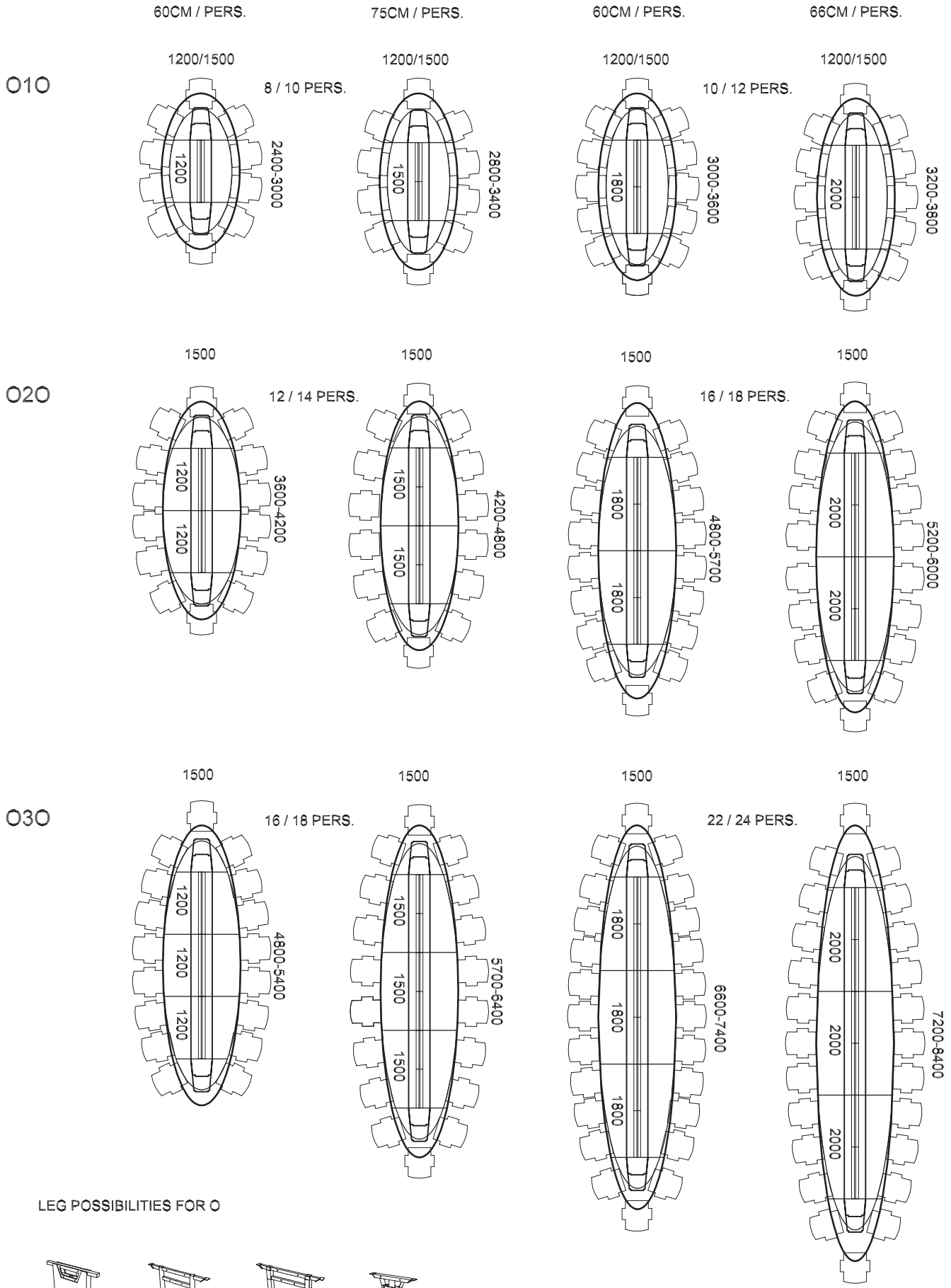


WOOD LEG

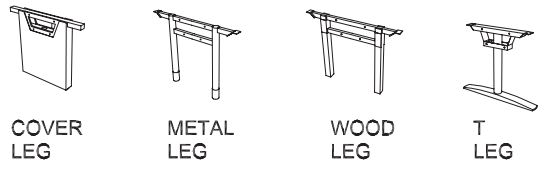


T LEG

SHAPE O

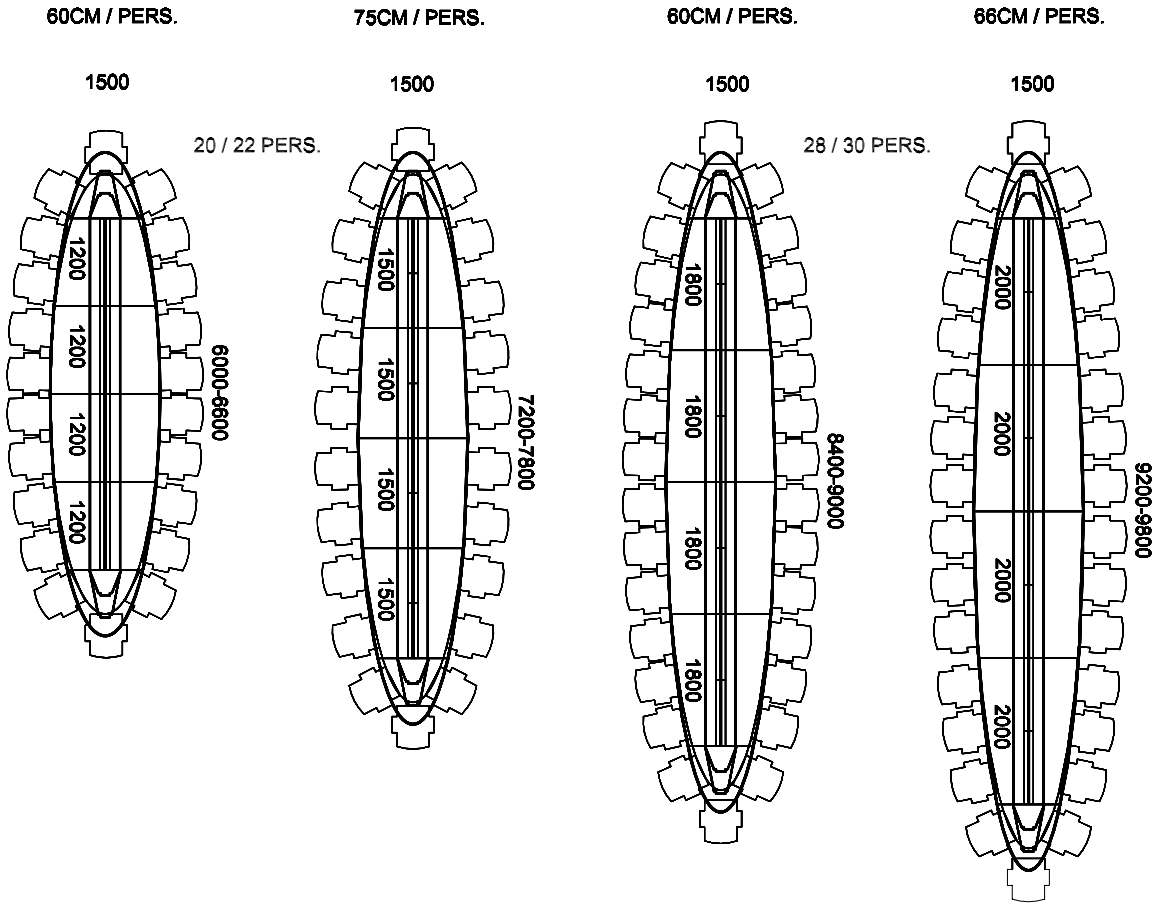


LEG POSSIBILITIES FOR O

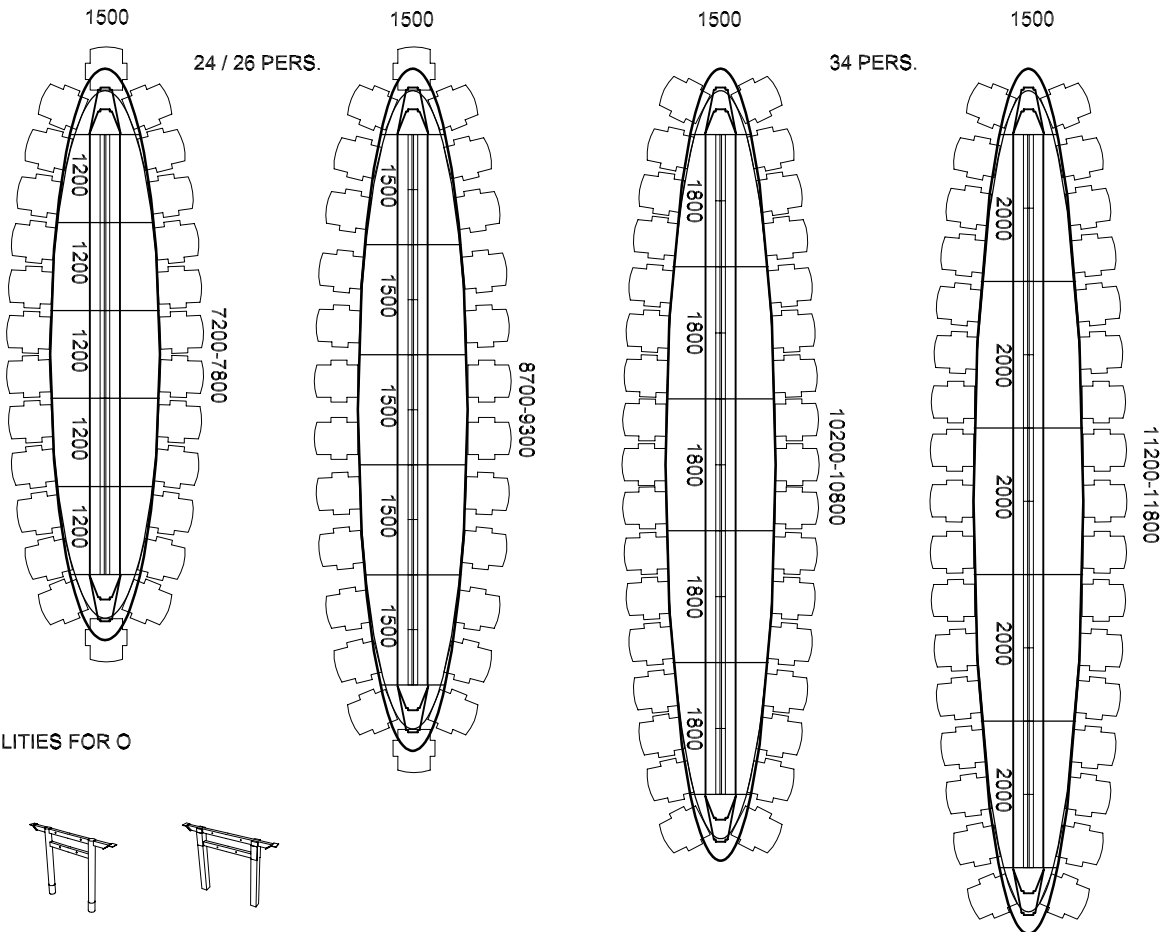


SHAPE O

O40



O50



LEG POSSIBILITIES FOR O



COVER LEG

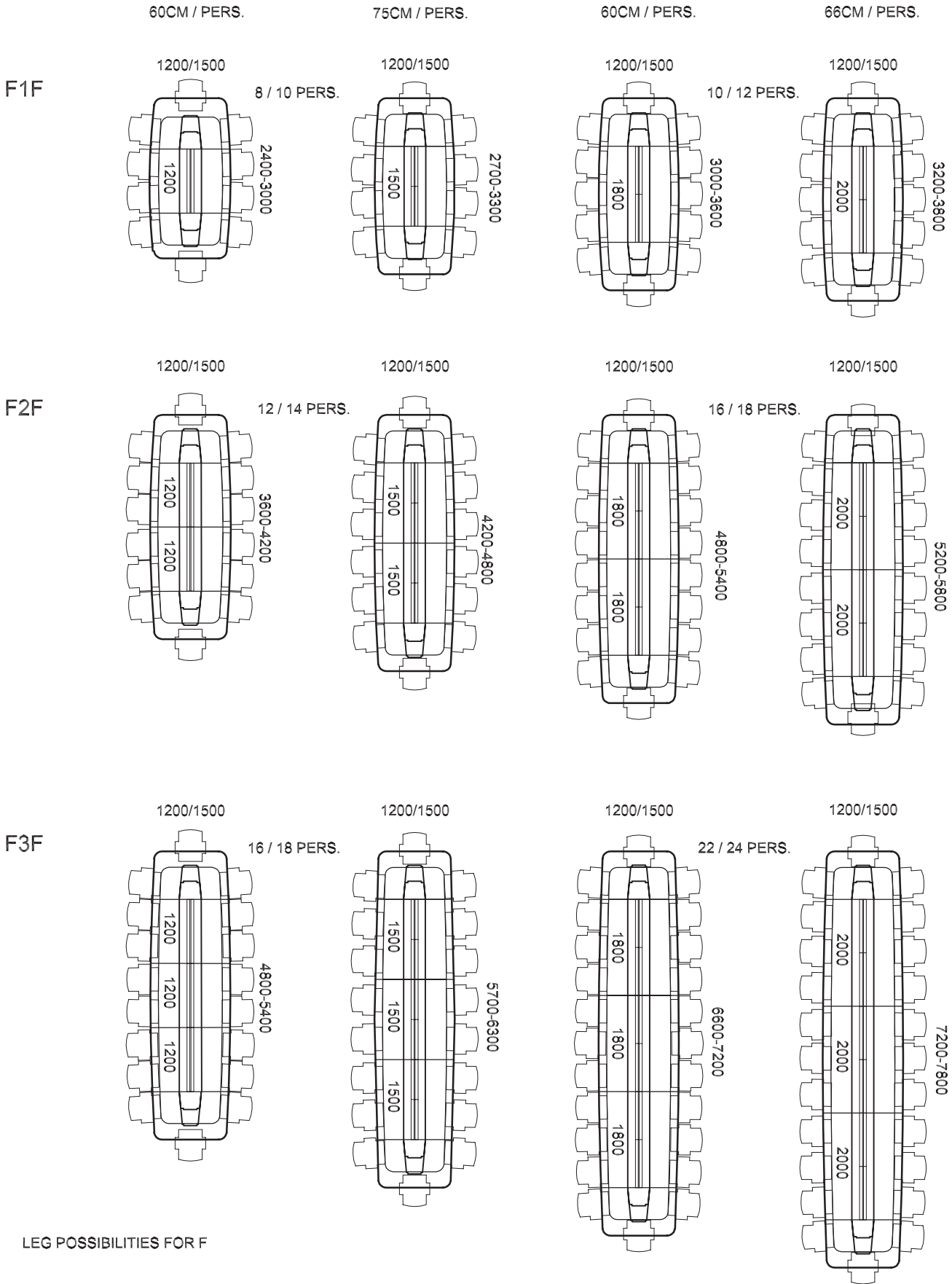


METAL LEG



WOOD LEG

SHAPE F
TABLE TOP THICKNESS 26MM



LEG POSSIBILITIES FOR F



COVER LEG



METAL LEG

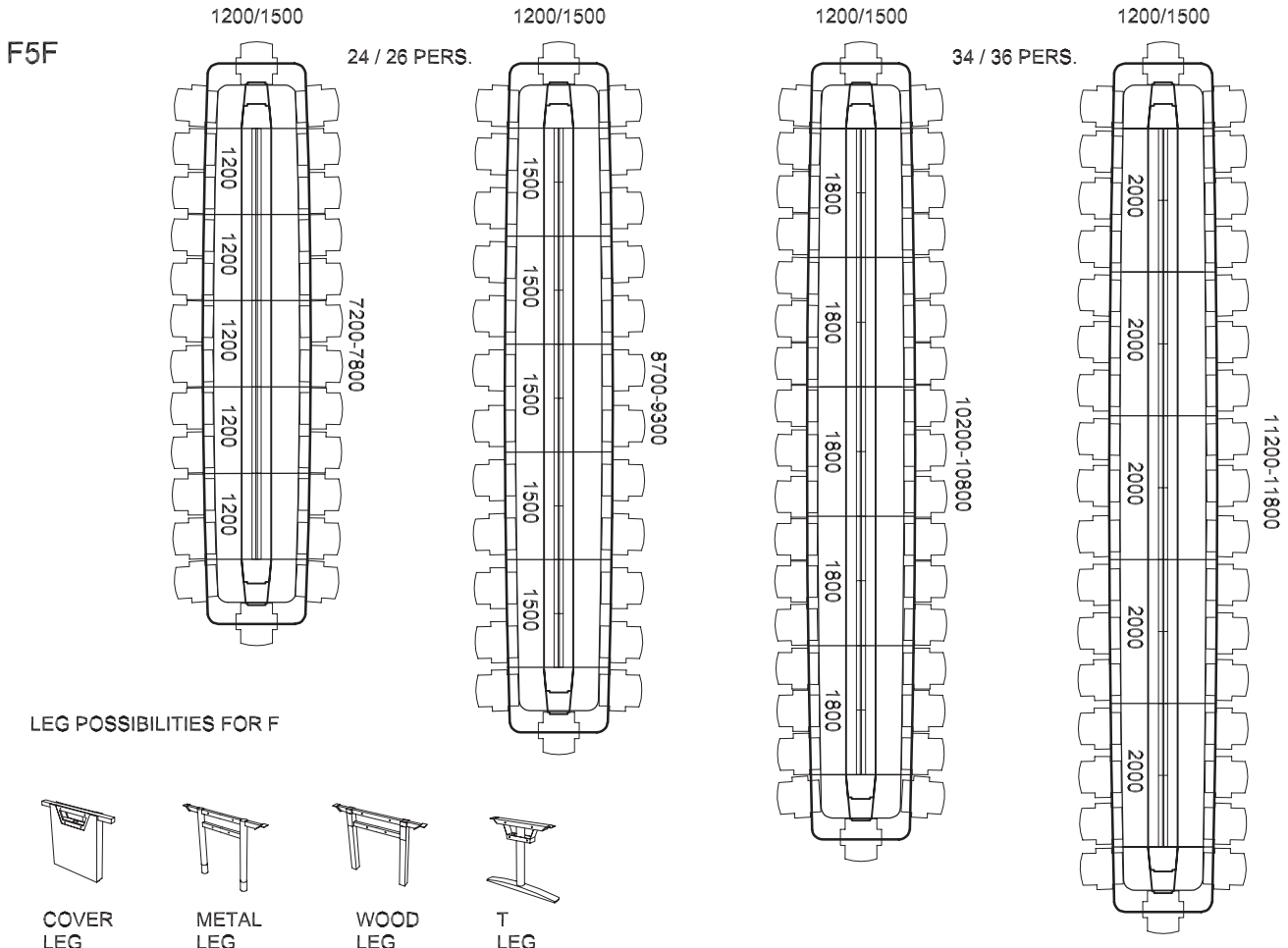
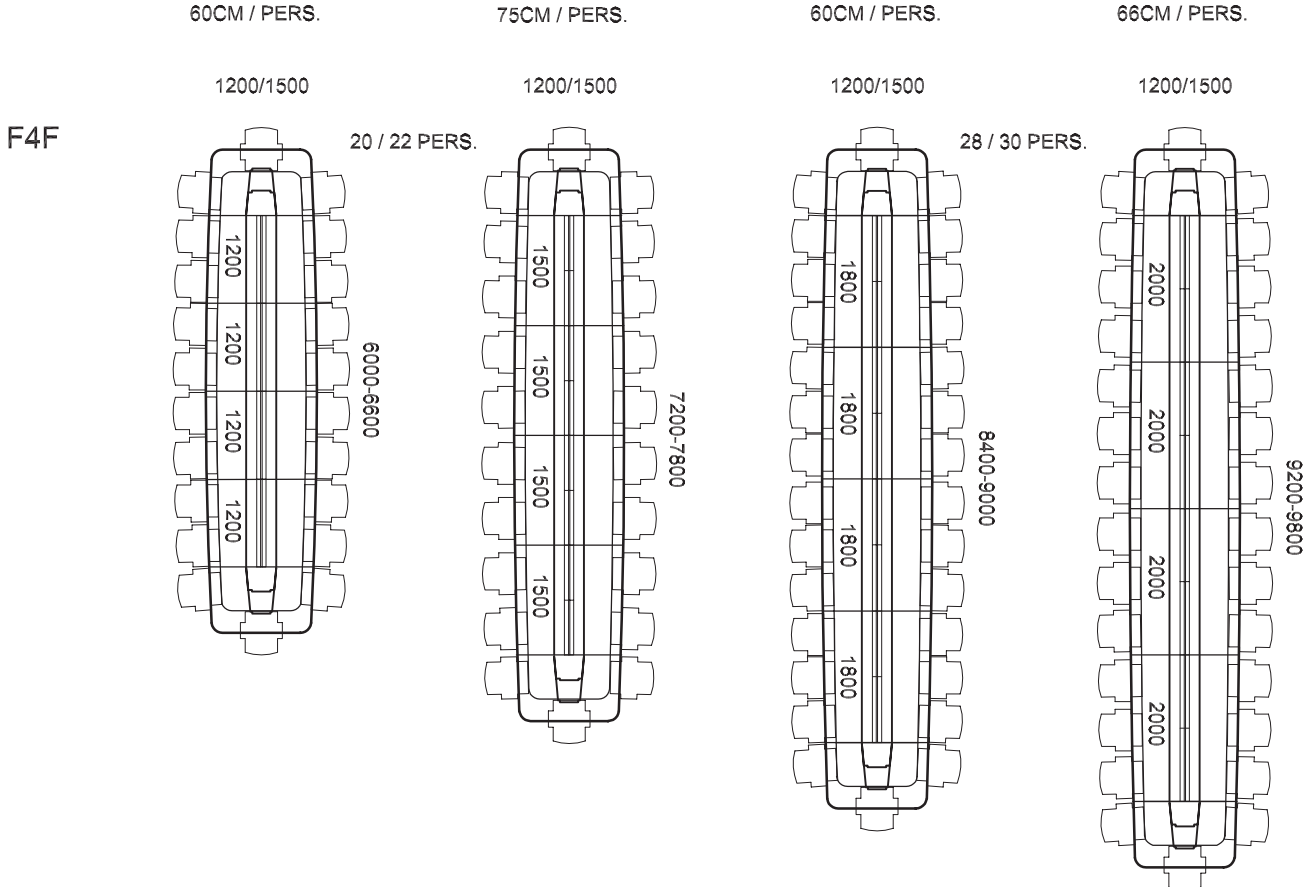


WOOD LEG

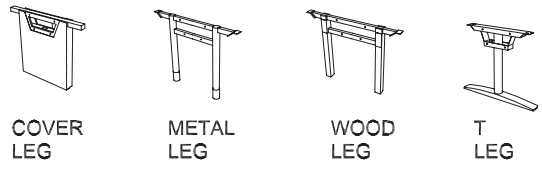


T LEG

SHAPE F
TABLE TOP THICKNESS 26MM



LEG POSSIBILITIES FOR F



UNIT

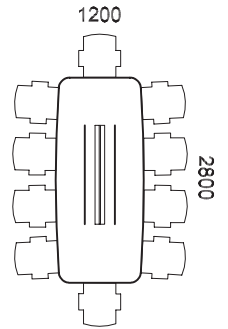
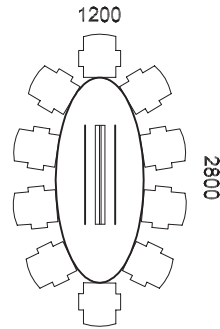
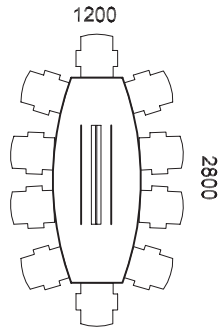
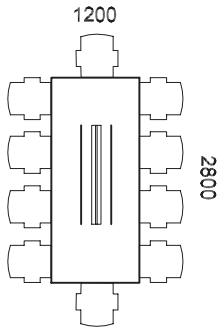
S UNIT

C UNIT

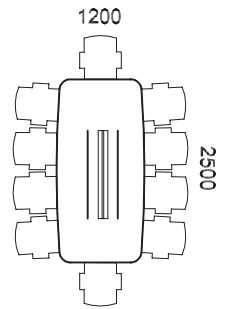
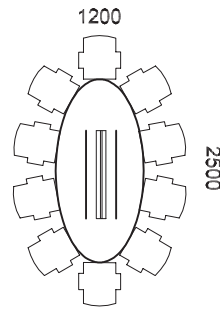
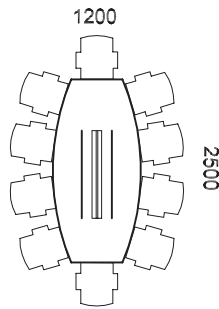
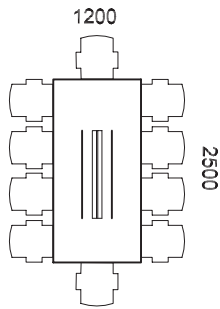
O UNIT

F UNIT

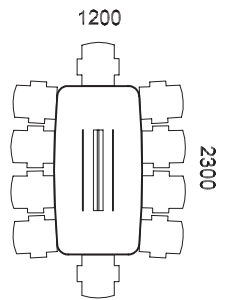
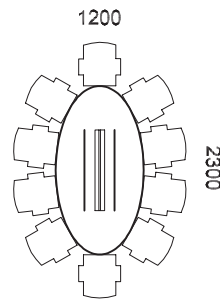
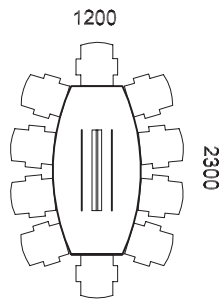
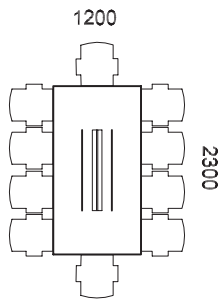
UNIT 2800 70CM / PERS.



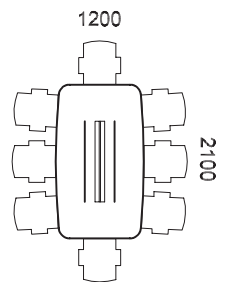
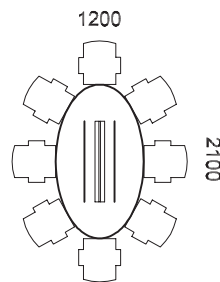
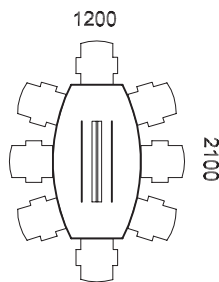
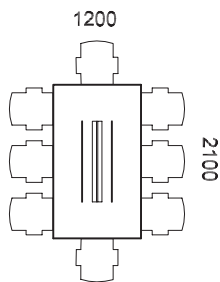
UNIT 2500 63CM / PERS.



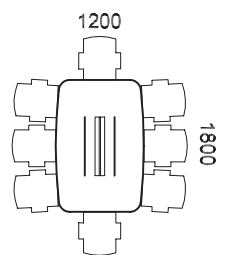
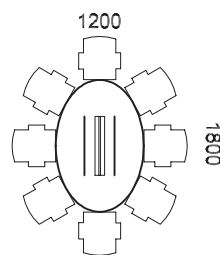
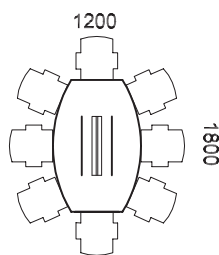
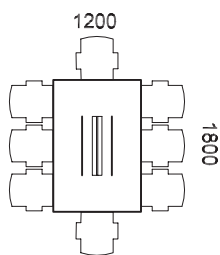
UNIT 2300 58CM / PERS.



UNIT 2100 70CM / PERS.



UNIT 1800 60CM / PERS.



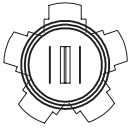
R UNIT, R,

1200 5 PERS.
1100 4 PERS.
1000 4 PERS.

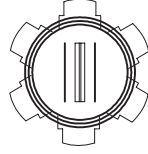
1500 6 PERS.
1400 5 PERS.
1300 5 PERS.

1900 7 PERS.
1800 7 PERS.
1700 7 PERS.
1600 6 PERS.

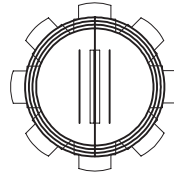
2400 10 PERS.
2300 9 PERS.
2200 9 PERS.
2100 8 PERS.
2000 8 PERS.



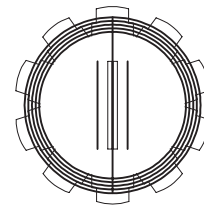
R UNIT



R UNIT



R



R

LEG POSSIBILITIES FOR R UNIT, R



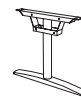
COVER LEG



METAL LEG



WOOD LEG

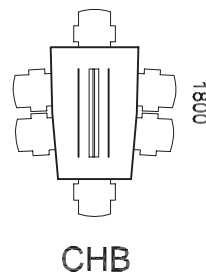
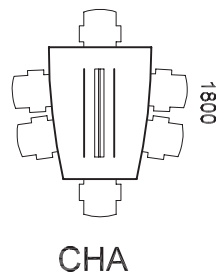
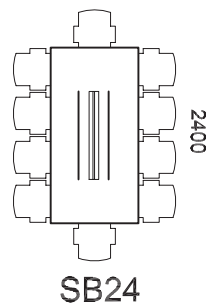
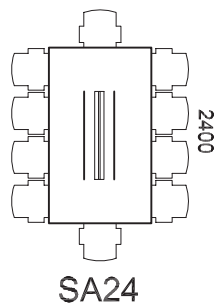
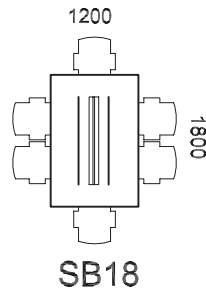
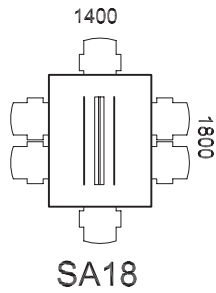


T LEG

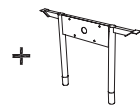


MULTI LEG

IN-TENSIVE MULTI

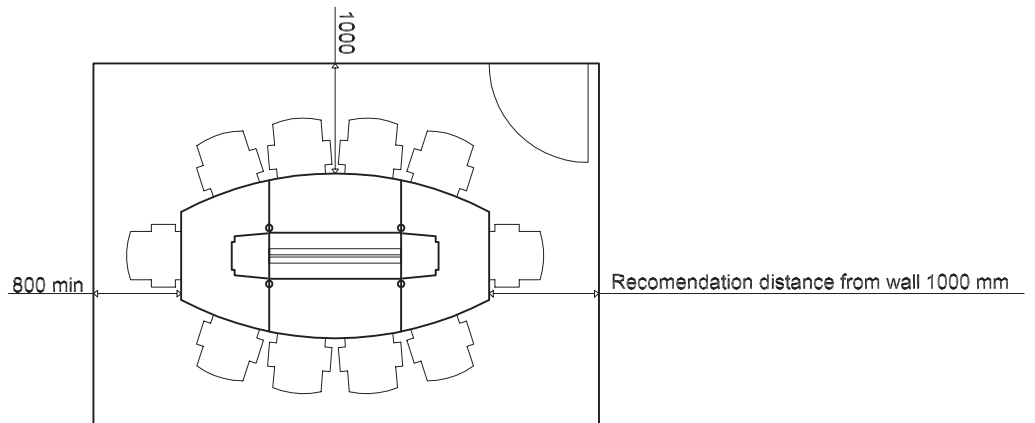
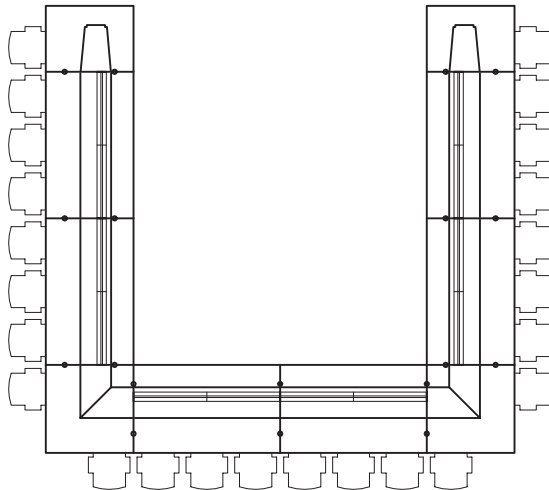
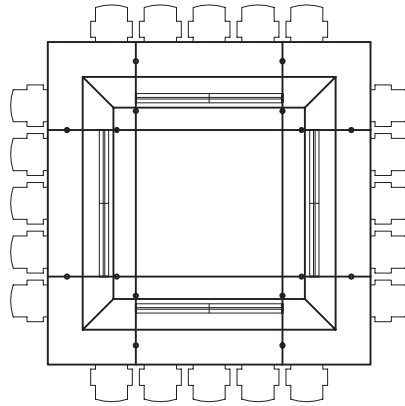


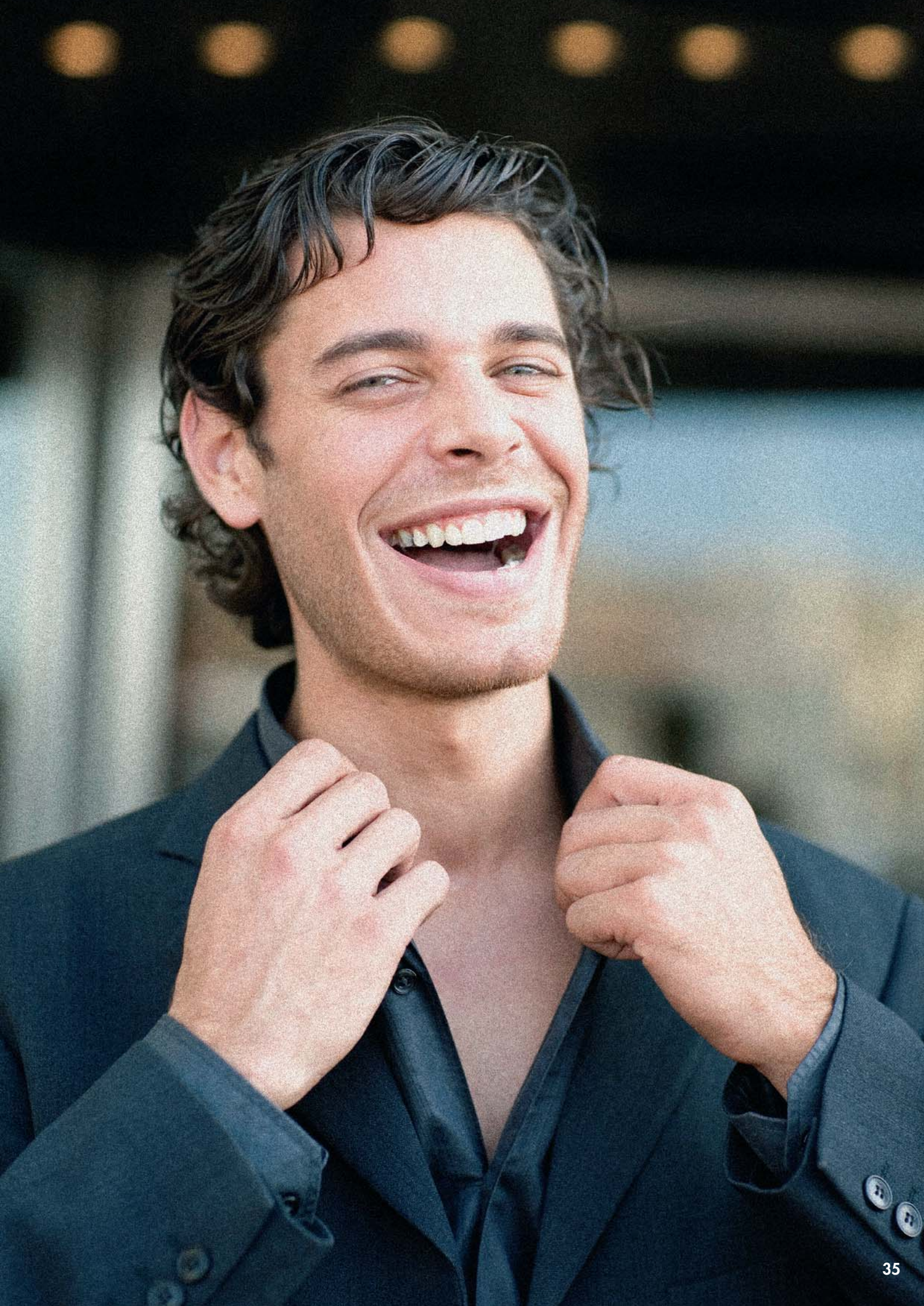
MULTI LEG WITH WHEELS



MULTI LEG

IN-TENSIVE SPECIAL SHAPES ON REQUEST





Select Meeting Extra



With the new Extra Meeting chair you have the comfort of tilting backrest without the hassle of needing to adjust the tension in proportion to users body weight. The Select chair adjusts automatically. Thus you can sit in a very comfortable way - even use as a working chair. It also comes with an inbuilt lumbar support and height adjustment. Armrests optional.

