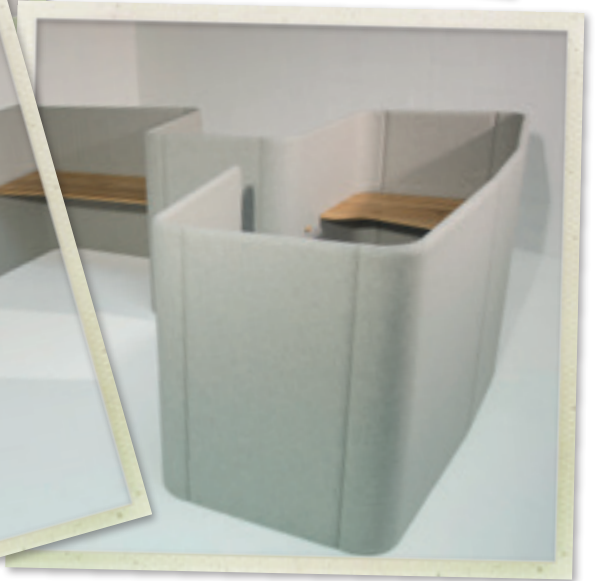


# BuzziVille



vertical ribs on the inside



more pictures? [click here](#)



## BuzziVille | Content

### COMPOSITION

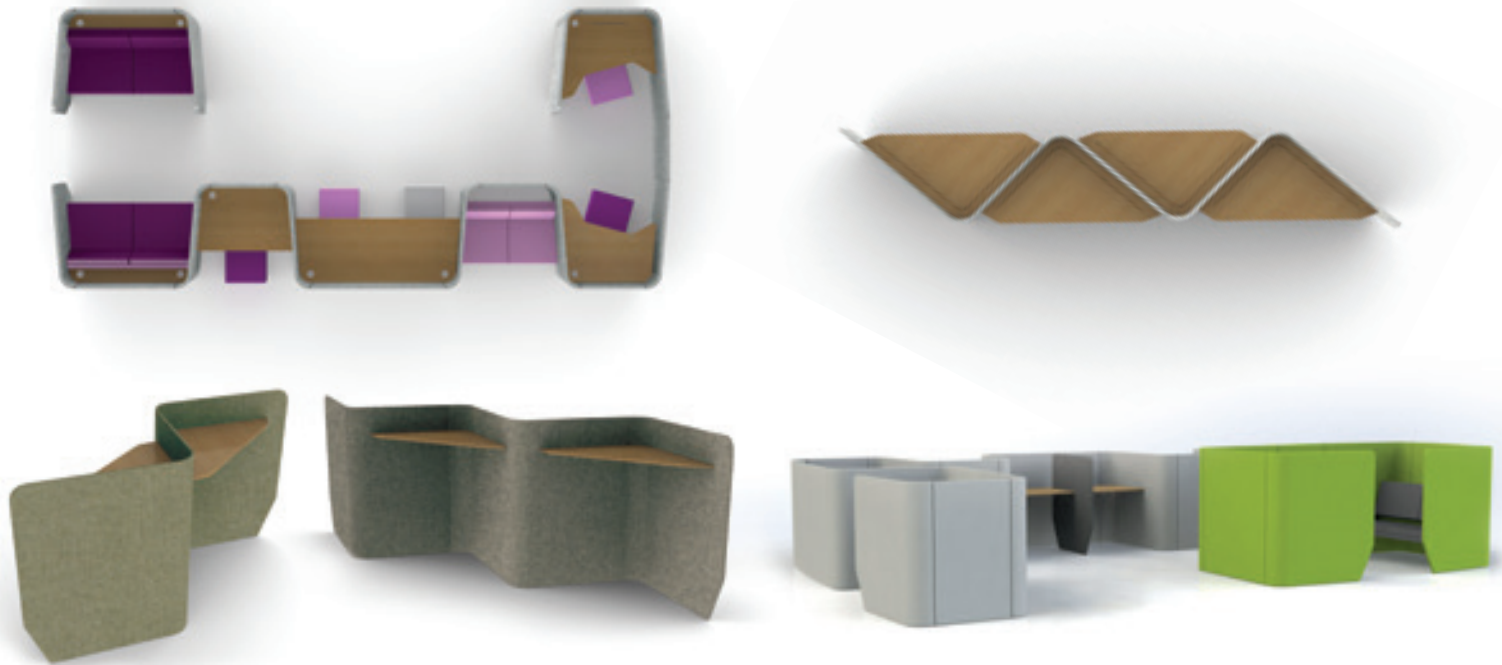
- walls:
  - poplar multiplex 18 mm | 0.71"
  - aluminium curves
  - foam CME35H + fabric on both sides
  - hooks for construction
- tablets & worktops:
  - Oak 20 mm | 0.79"
  - White Laminate (Birch multiplex) 20 mm | 0.79"
  - Ø 80 mm | Ø 31.15" cutouts for cables and monitor clamps
  - notch in the back of worktop (Ø 10 mm | Ø 0.39")
  - aluminium hooks for worktop-installation
  - worktop height at 75 cm | 29.53" (sitting) or 108 cm | 42.50" (standing)
- bench:
  - construction: metal
  - cover: foam C43170 + fabric
  - MDF 6 mm | 0.24"
  - poplar multiplex 18 mm | 0.71"

### USE

- work- and meeting-spaces for open offices
- easy to install with hook-system
- create your personal BuzziVille by assembling wall systems; adding worktops, benches and tablets
- 3 modular sizes: Small / Medium / Large in 2 different heights: 120 / 135 cm | 47.24" / 53.15"

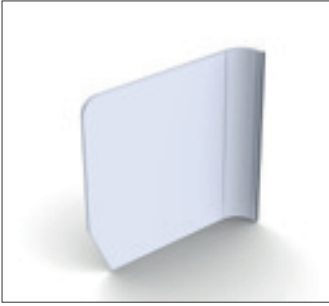
### OPTION:

- aluminium hooks black powdercoated RAL9005 (advised for darker colour finish)

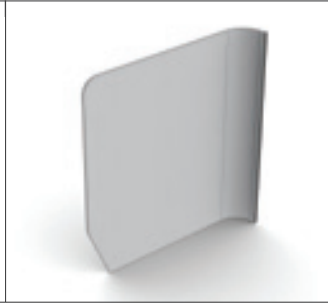


# BuzziVille | Different Elements

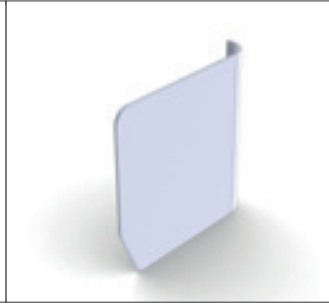
Start Stop Left - 120



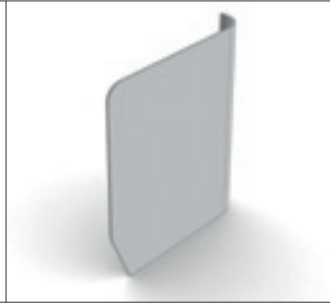
Start Stop Left - 135



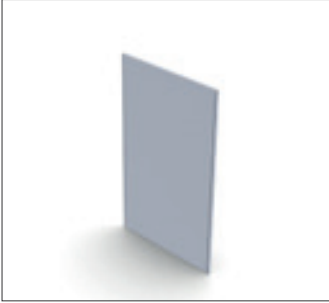
Start Stop Right - 120



Start Stop Right - 135



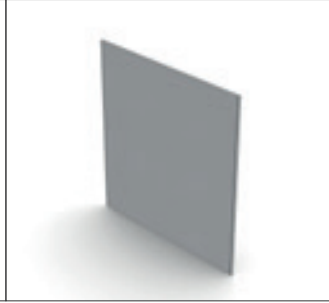
Mid Panel Small - 120



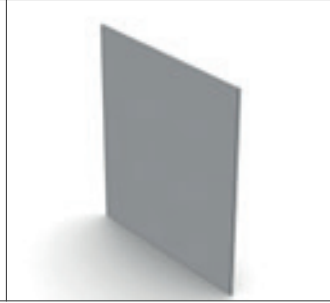
Mid Panel Small - 135



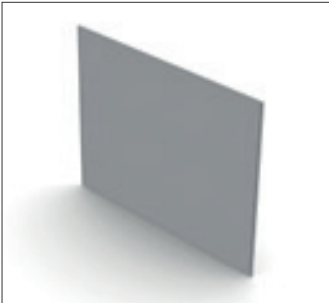
Mid Panel Medium - 120



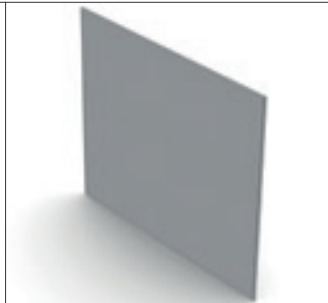
Mid Panel Medium - 135



Mid Panel Large - 120



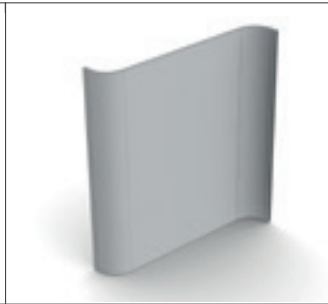
Mid Panel Large - 135



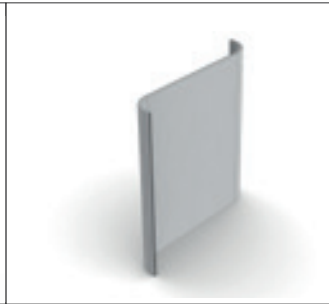
S-Connect Left - 120



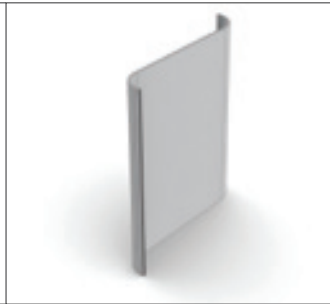
S-Connect Left - 135



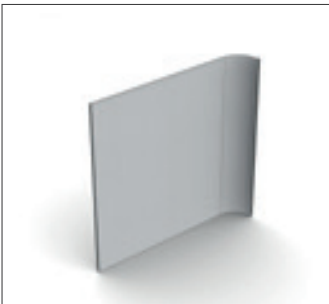
S-Connect Right - 120



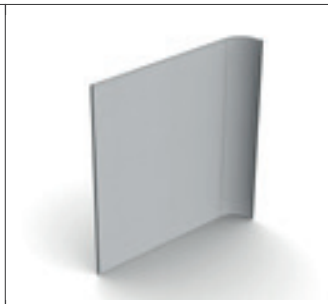
S-Connect Right - 135



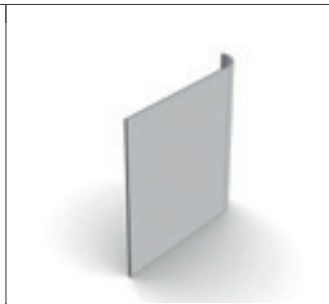
J-Connect Left - H120



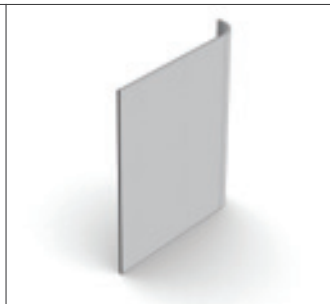
J-Connect Left - H135



J-Connect Right - H120



J-Connect Right - H135



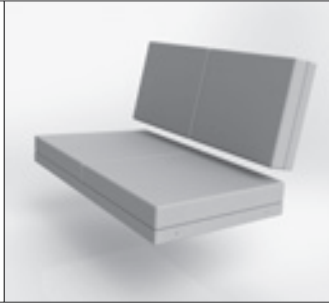
Worktop Small (Oak)



Tablet Small (Oak)



Bench Small



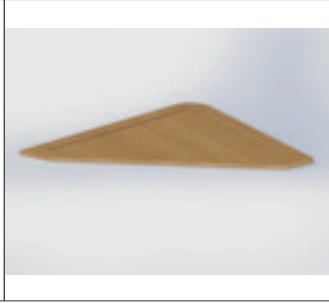
Worktop Small Shape Right (Oak)



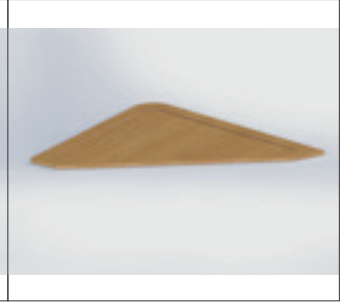
Worktop Small Shape Left (Oak)



Worktop Small Triangle Left (Oak)



Worktop Small Triangle Right (Oak)



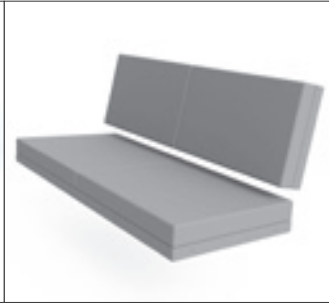
Worktop Medium (Oak)



Tablet Medium (Oak)



Bench Medium



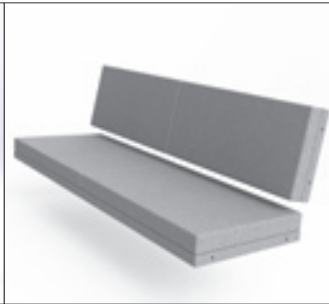
Worktop Large (Oak)



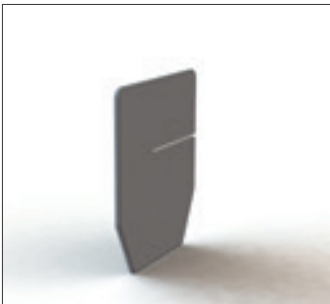
Tablet Large (Oak)



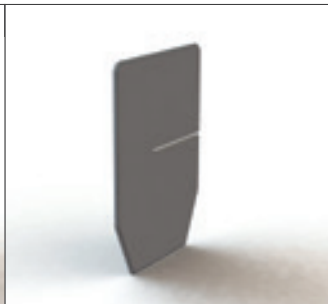
Bench Large



Split Panel 120



Split Panel 135



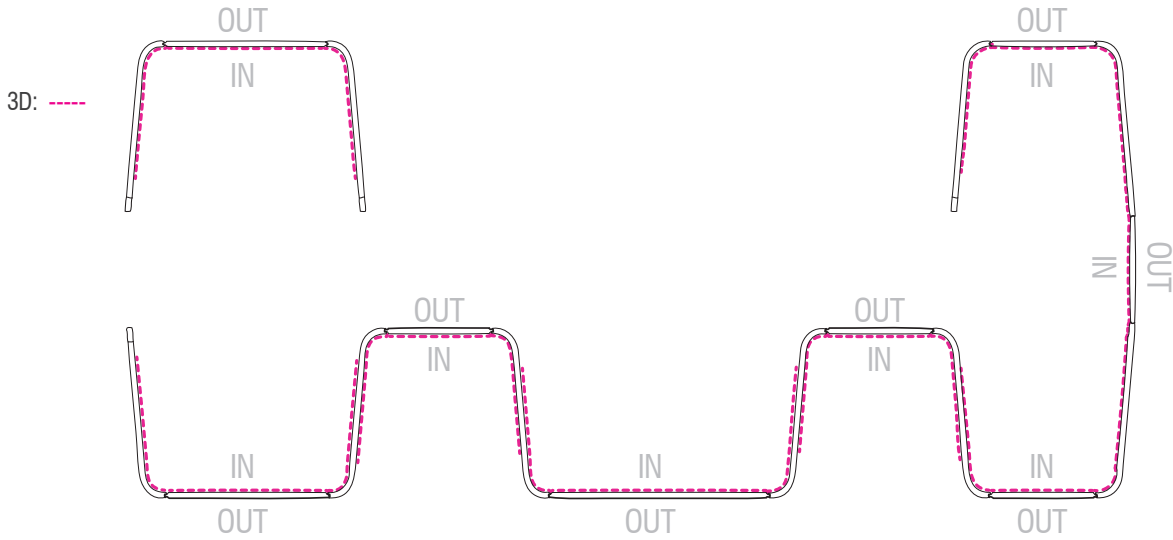
**OPTIONS ! check your buzzi-architect for all possibilities!**

• **STEP 1: choose the height:** 120 / 135 cm | 47.24" / 53.15"

• **STEP 2: choose the panel finish:**

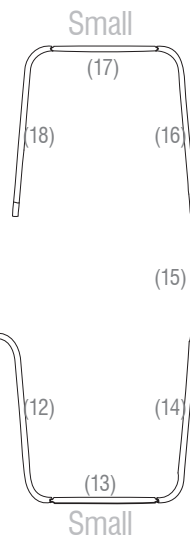
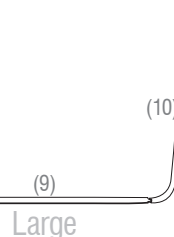
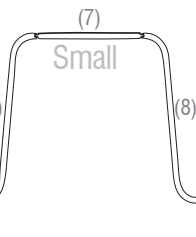
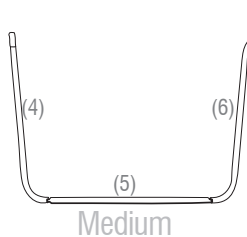
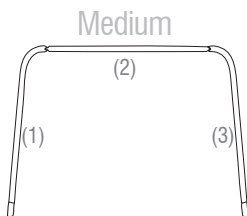
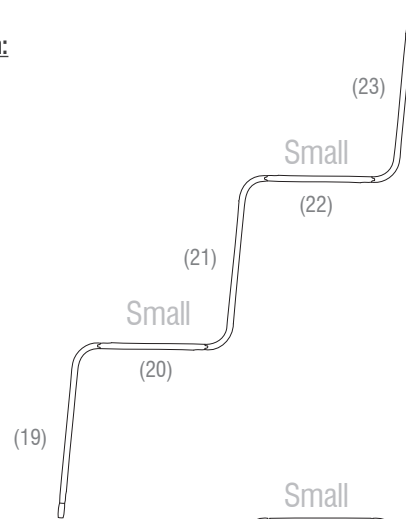
BuzziFabric	possible for both heights:	H: 120 / 135 cm   47.24" / 53.15"
BuzziRough	possible for both heights:	H: 120 / 135 cm   47.24" / 53.15"
BuzziTerra	only possible for height:	H: 120 cm   47.24"

• **STEP 3: choose the version:** flat or 3D (vertical ribs on the inside)



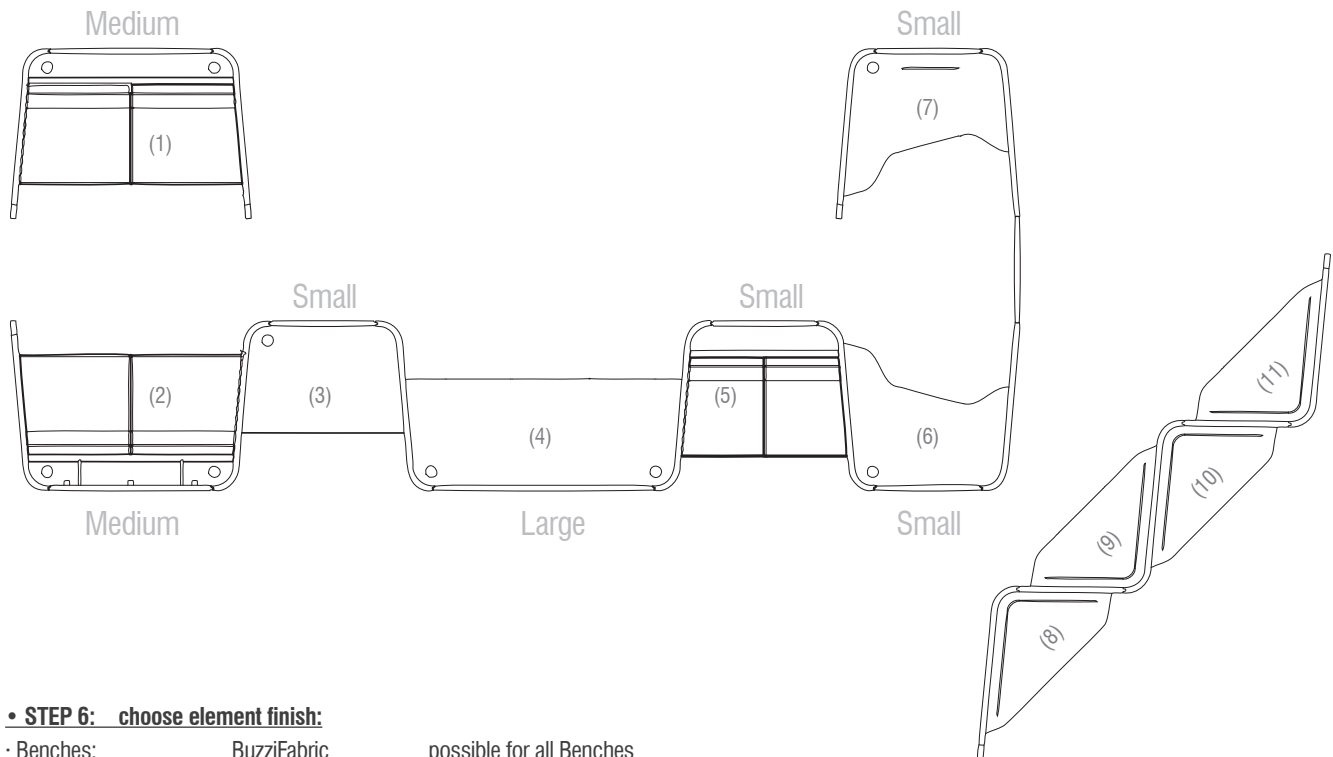
• **STEP 4: pick out the wall systems you need to create your BuzziVille-design:**

- Start Stop Left H: 120 / 135 47.24" / 53.15" (1)(18)(19)(23)
- Start Stop Right H: 120 / 135 47.24" / 53.15" (3)(4)
- Mid Panel S H: 120 / 135 47.24" / 53.15" (7)(11)(13)(15)(17)(20)(22)
- Mid Panel M H: 120 / 135 47.24" / 53.15" (2)(5)
- Mid Panel L H: 120 / 135 47.24" / 53.15" (9)
- S-Connect Left H: 120 / 135 47.24" / 53.15" (6)(10)(21)
- S-Connect Right H: 120 / 135 47.24" / 53.15" (8)(12)
- J-Connect Left H: 120 / 135 47.24" / 53.15" (14)
- J-Connect Right H: 120 / 135 47.24" / 53.15" (16)



• **STEP 5: pick out the complementary elements:**

• SMALL:	<b>Bench</b>	· bench (standard) · bench + tablet · bench + lighting (5)	BE: TL light   230 V   13 W US: TL light   110 V   13 W UK: BE light + UK converter plug	
	<b>Worktop</b>	· standard: 1 cutout Ø 80 mm   Ø 31.15" in left corner + notch · shape R: 1 cutout Ø 80 mm   Ø 31.15" in right corner + notch · shape L: 1 cutout Ø 80 mm   Ø 31.15" in left corner + notch · triangular L: notch only · triangular R: notch only		H 75 / 108 cm   H 29.53" / 42.50" (3) H 75 / 108 cm   H 29.53" / 42.50" (6) H 75 / 108 cm   H 29.53" / 42.50" (7) H 75 / 108 cm   H 29.53" / 42.50" (8)(9)(10)(11) H 75 / 108 cm   H 29.53" / 42.50"
• MEDIUM:	<b>Bench</b>	· bench (standard) · bench + tablet (1)(2) · bench + lighting	BE: TL light   230 V   28 W US: TL light   110 V   28 W UK: BE light + UK converter plug	
	<b>Worktop</b>	· standard: 2 cutouts Ø 80 mm   Ø 31.15" : 1 in each corner + notch		H 75 / 108 cm   H 29.53" / 42.50"
• LARGE:	<b>Bench</b>	· bench (standard) · bench + tablet · bench + lighting	BE: TL light   230 V   28 W US: TL light   110 V   28 W UK: BE light + UK converter plug	
	<b>Worktop</b>	· standard: 2 cutouts Ø 80 mm   Ø 31.15" : 1 in each corner + notch		H 75 / 108 cm   H 29.53" / 42.50" (4)
	<b>Split Panel</b>	· standard: (only in combination with Worktop Large)		H: 120 / 135   47.24" / 53.15"



• **STEP 6: choose element finish:**

• Benches:	BuzziFabric	possible for all Benches
	BuzziRough	possible for all Benches
	BuzziTerra	possible for all Benches
• Worktops & Tablets:	OAK	possible for all worktops and tablets (with cut-out and notch)
	WHITE Laminate	possible for all worktops and tablets (with cut-out but no notch)

## BuzziVille | Ratings

· Flammability:	BuzziTerra:	CRIB 5 CAL 117 PASS
	BuzziFabric:	EN 1021.1/2006   BS EN 1021.1/2006 (cigarette) EN 1021.2/2006   BS EN 1021.2/2006 (match) CAL TB 117
	BuzziRough:	EN 1021.1/2006   BS EN 1021.1/2006 (cigarette) DIN 4102 - B1
	Foam CME35H:	California Test TB 117 – Al en DII BS 5852 – Crib 5 NF P 92 504 – M4

· Light:	<b><u>VERSION 120:</u></b> TL light   230 V   13 W	<b><u>VERSION 160   200:</u></b> TL light   230 V   28 W
----------	---	---

BE:	CE : class II EN 60598-1:2008 + A11:2009 EN 60598-2-1:1989	EC conform: UNE-EN 55015:2007 + A1:2008 + A2:2009 UNE-EN 61000-3-2:2006 + A1:2010 + A2:2010 UNE-EN 61000-3-3:2009 UNE-EN 61547:2011 UNE-EN 60598-1:2009 + A11:2009 UNE-EN 60598-2-1:1993
-----	--	---

US:	CE conform: EN 60596-1:2008 + A11:2009 EN 60598-2-1:1989 EN 55015:2006 + A1:2007 + A2:2009 EN 61000-3-3:2008 EN 61547:2009 EN 61000-3-2:2006 + A1:2009 + A2:2009	UL certificated
-----	--	-----------------

UK:	BE Light + UK Converter plug BS1363-5 BS1362	BE Light + UK Converter plug BS1363-5 BS1362
-----	---	---

## BuzziVille | Useful Links



Price List



Warranty



2D DWG



3D Sketchup



Movie

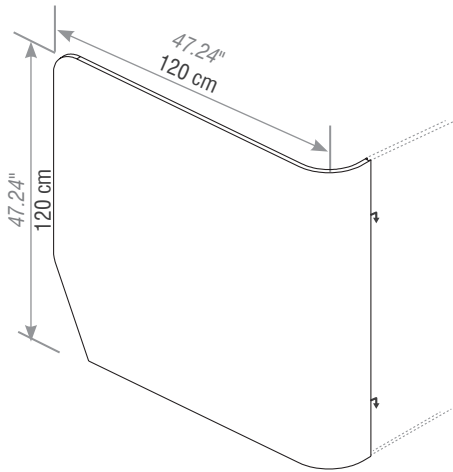
**Questions?** Don't hesitate to contact your local agent or distributor



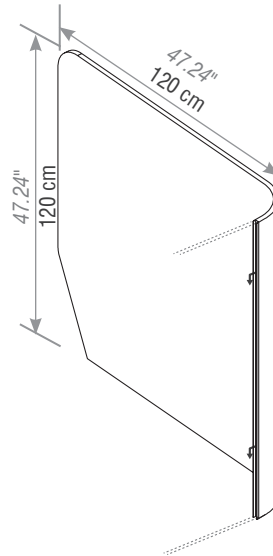
# BuzziVille | Dimensions & Weight

START STOP	Size:	Weight:
Start Stop Left - 120	120 x 130 x 4,5 cm <i>47.24 x 51.18 x 1.77"</i>	16,6 kg <i>43.43 lbs</i>
Start Stop Left - 135	135 x 130 x 4,5 cm <i>53.15 x 51.18 x 1.77"</i>	18,7 kg <i>48.94 lbs</i>
Start Stop Right - 120	120 x 130 x 4,5 cm <i>47.24 x 51.18 x 1.77"</i>	16,6 kg <i>43.43 lbs</i>
Start Stop Right - 135	135 x 130 x 4,5 cm <i>53.15 x 51.18 x 1.77"</i>	18,7 kg <i>48.94 lbs</i>

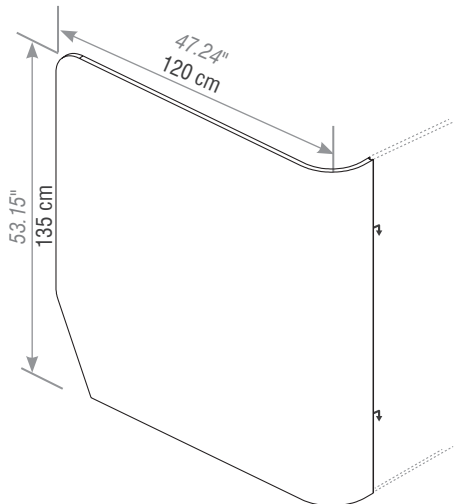
Start Stop Right - H120



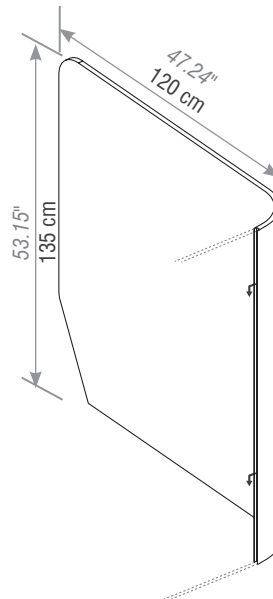
Start Stop Left - H120



Start Stop Right - H135



Start Stop Left - H135



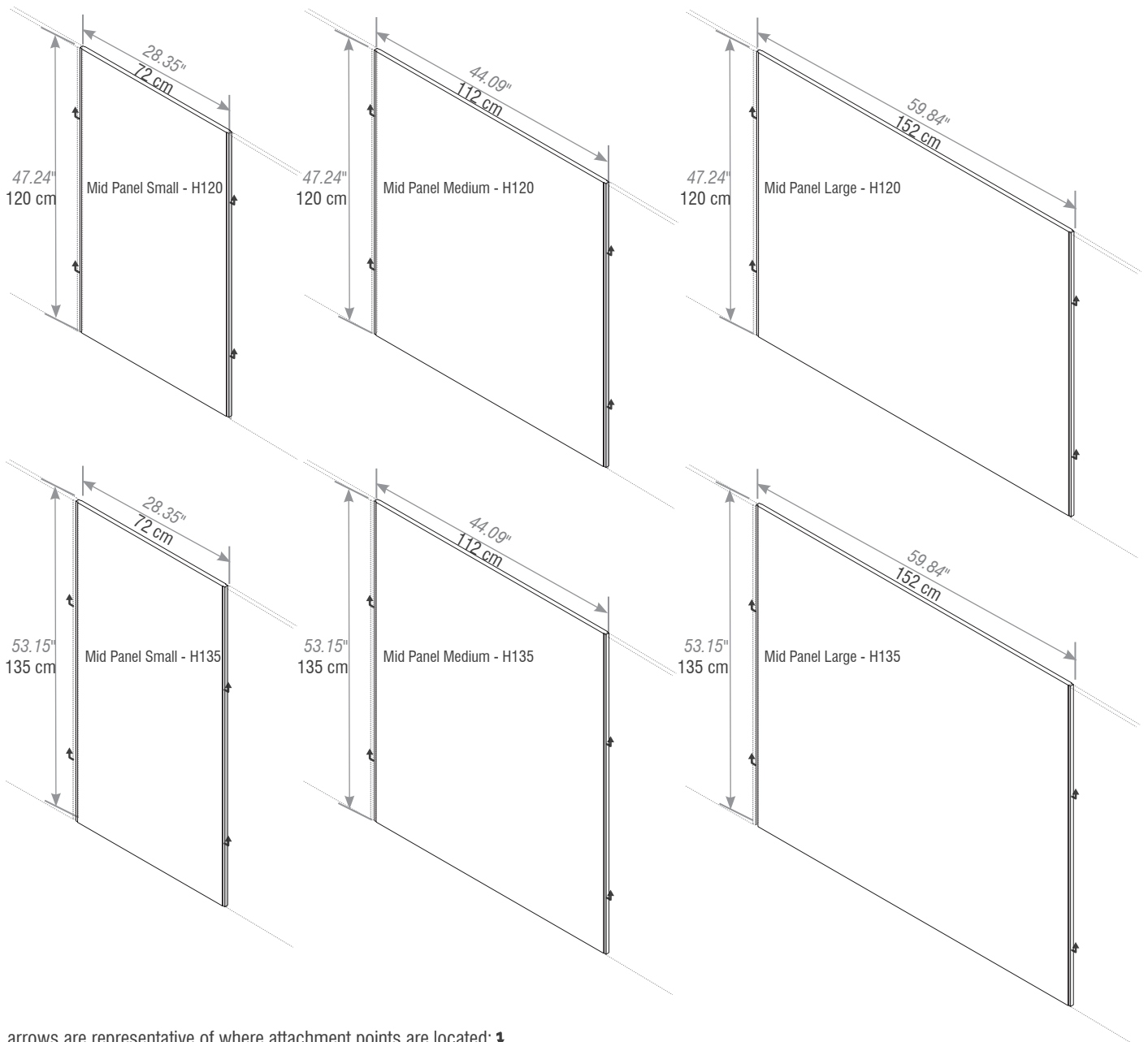
arrows are representative of where attachment points are located: ↴





# BuzziVille | Dimensions & Weight

MID PANEL	Size:	Weight:
Mid Panel Small - H120	H 120 x 72 x 4,5 cm <i>H 47.24 x 28.35 x 1.77"</i>	7,4 kg <i>16.31 lbs</i>
Mid Panel Small - H135	H 135 x 72 x 4,5 cm <i>H 53.15 x 28.35 x 1.77"</i>	8,3 kg <i>18.30 lbs</i>
Mid Panel Medium - H120	H 120 x 112 x 4,5 cm <i>H 47.24 x 44.09 x 1.77"</i>	11,9 kg <i>26.24 lbs</i>
Mid Panel Medium - H135	H 135 x 112 x 4,5 cm <i>H 53.15 x 44.09 x 1.77"</i>	13,4 kg <i>29.54 lbs</i>
Mid Panel Large - H120	H 120 x 152 x 4,5 cm <i>H 47.24 x 59.84 x 1.77"</i>	16,1 kg <i>35.49 lbs</i>
Mid Panel Large - H135	H 135 x 152 x 4,5 cm <i>H 53.15 x 59.84 x 1.77"</i>	18,1 kg <i>39.90 lbs</i>

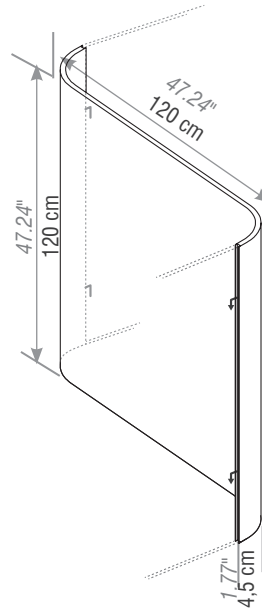
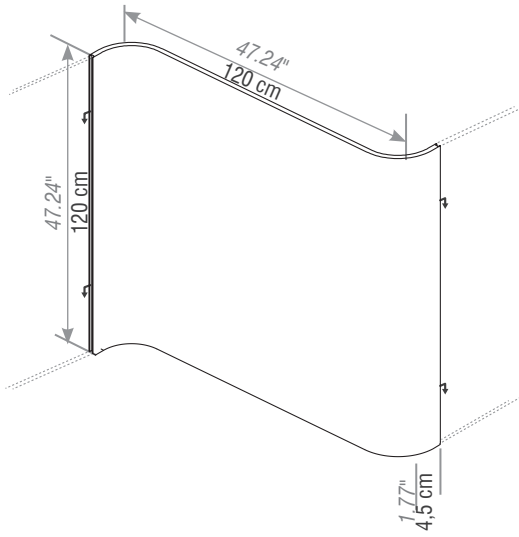


arrows are representative of where attachment points are located: ↕

# BuzziVille | Dimensions & Weight

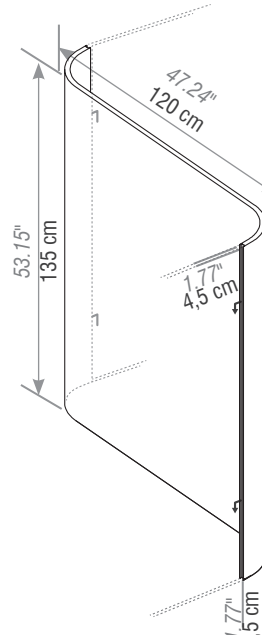
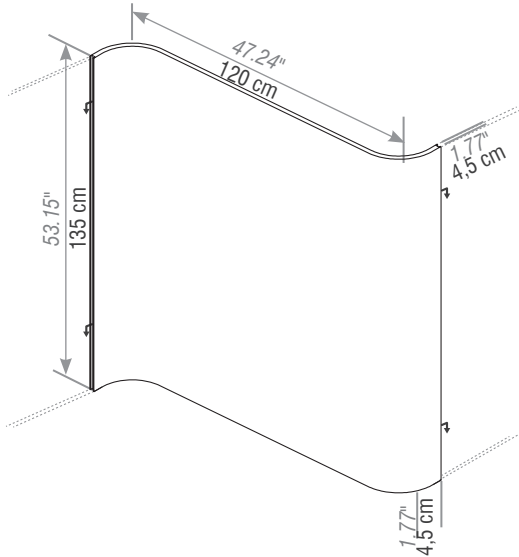
WALL S	Size:	Weight:
S-Connect Left - H120	120 x 130 x 4,5 cm 47.24 x 51.18 x 1.77"	19,7 kg 43.43 lbs
S-Connect Left - H135	135 x 130 x 4,5 cm 53.15 x 51.18 x 1.77"	22,2 kg 48.94 lbs
S-Connect Right - H120	120 x 130 x 4,5 cm 47.24 x 51.18 x 1.77"	19,7 kg 43.43 lbs
S-Connect Right - H135	135 x 130 x 4,5 cm 53.15 x 51.18 x 1.77"	22,2 kg 48.94 lbs

S-Connect Right - H120



S-Connect Left - H120

S-Connect Right - H135



S-Connect Left - H135

# BuzziVille | Dimensions & Weight

## WALL J

### Size:

### Weight:

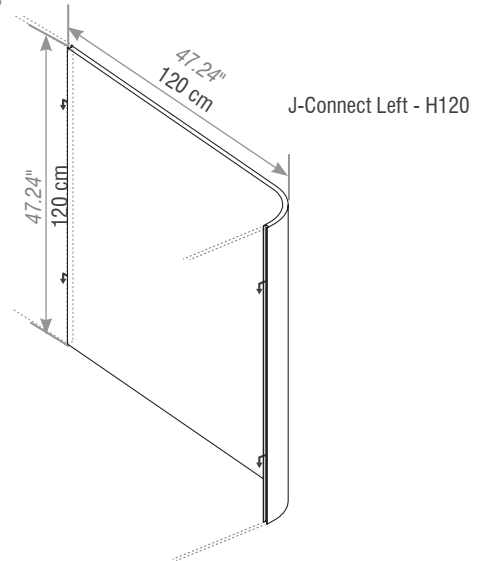
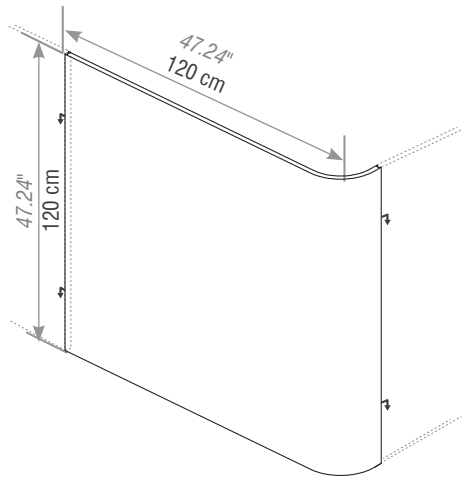
J-Connect Left - H120	120 x 130 x 4,5 cm 47.24 x 51.18 x 1.77"
J-Connect Left - H135	135 x 130 x 4,5 cm 53.15 x 51.18 x 1.77"

17,0 kg 43.43 lbs
19,1 kg 48.94 lbs

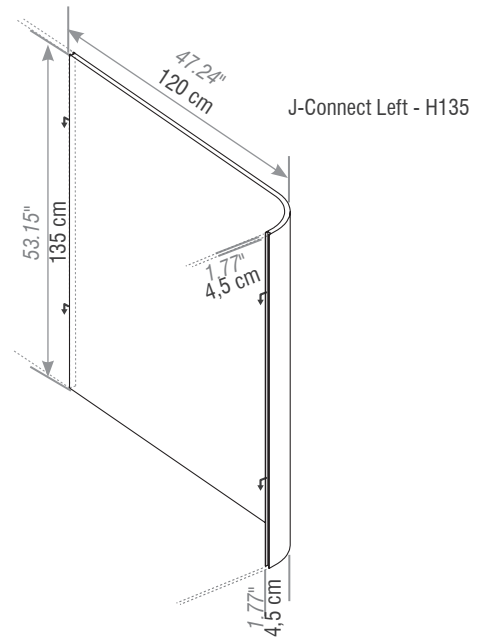
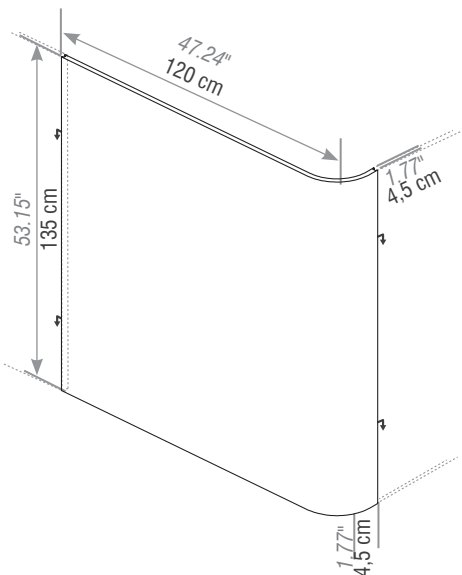
J-Connect Right - H120	120 x 130 x 4,5 cm 47.24 x 51.18 x 1.77"
J-Connect Right - H135	135 x 130 x 4,5 cm 53.15 x 51.18 x 1.77"

17 kg 43.43 lbs
19,1 kg 48.94 lbs

J-Connect Right - H120



J-Connect Right - H135



arrows are representative of where attachment points are located: ↴



# BuzziVille | Dimensions & Weight


## SMALL

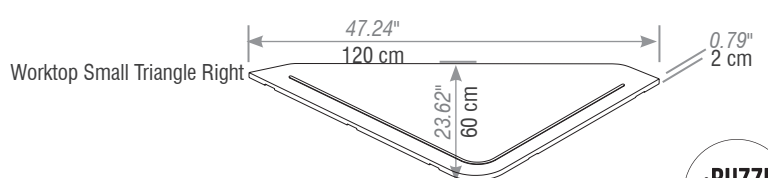
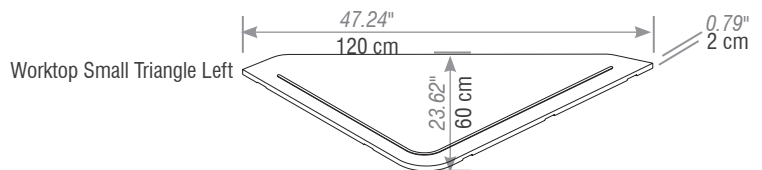
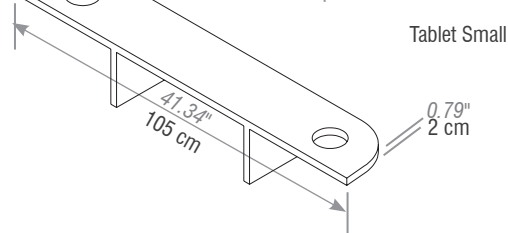
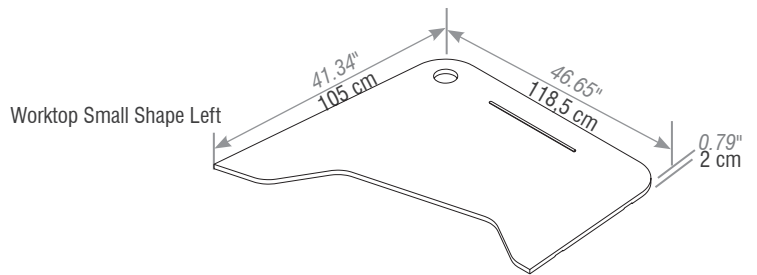
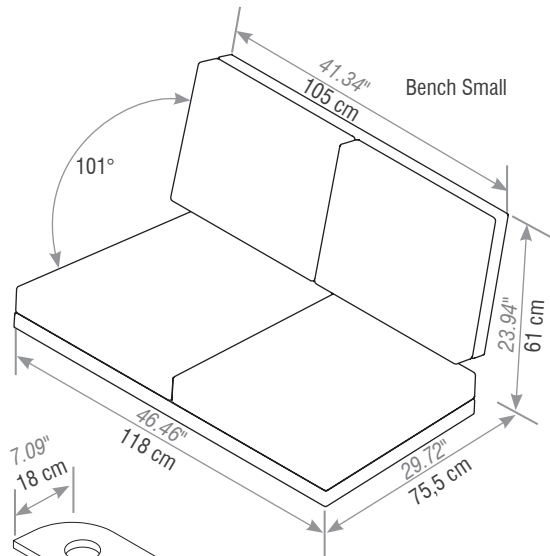
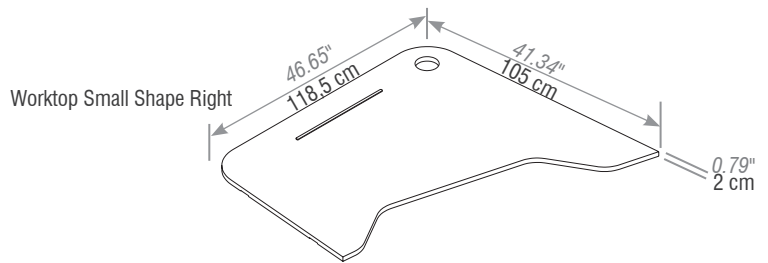
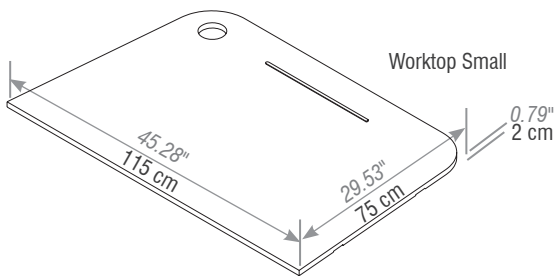
## Size:

## Weight:

Worktop Small	75 x 115 x 2 cm 29.53 x 45.28 x 0.79"	12,1 kg 26.68 lbs
Worktop Small Shape Left	105 x 118,5 x 2 cm 41.34 x 46.65 x 0.79"	11,5 kg 25.35 lbs
Worktop Small Shape Right	105 x 118,5 x 2 cm 41.34 x 46.65 x 0.79"	11,5 kg 25.35 lbs
Worktop Small Triangle Left	60 x 120 x 2 cm 23.62 x 47.24 x 0.79"	7,7 kg 16.98 lbs
Worktop Small Triangle Right	60 x 120 x 2 cm 23.62 x 47.24 x 0.79"	7,7 kg 16.98 lbs
Bench Small	75,5 x 118 x 61 cm 29.72 x 46.46 x 23.94"	37,7 kg 83.11 lbs
Tablet Small	18 x 105 x 15 cm 7.09 x 41.34 x 5.91"	3,1 kg 6.83 lbs

only in combination with Bench Small

- Cutout:  Ø 8 cm | Ø 3.15"
- Notch:  Ø 1 cm | Ø 0.39"
- Seatheight: 42 cm | 16.54"



# BuzziVille | Dimensions & Weight

## MEDIUM

### Size:

### Weight:

Worktop Medium

75 x 155 x 2 cm  
29.53 x 61.02 x 0.79"

17,6 kg  
38.80 lbs

Bench Medium

75,5 x 158 x 61 cm  
29.72 x 62.20 x 23.94"

49,1 kg  
104.24 lbs

Tablet Medium

18 x 145 x 15 cm  
7.09 x 57.09 x 5.91"

4,3 kg      only in combination with Bench Medium  
9.48 lbs

Cutout: 

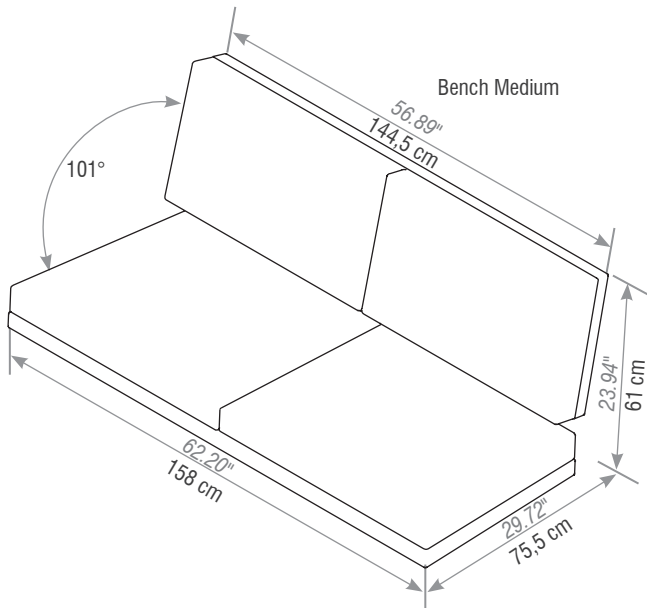
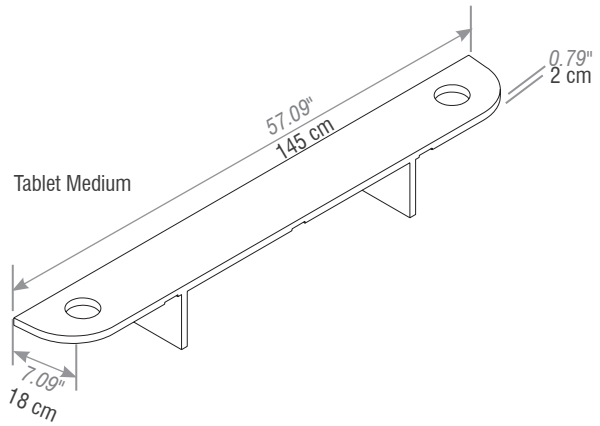
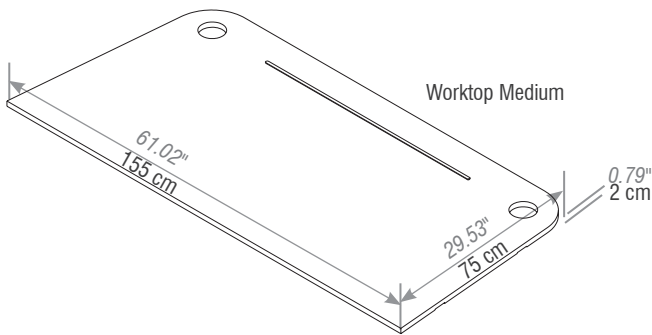
Ø 8 cm | Ø 3.15"

Notch: 

Ø 1 cm | Ø 0.39"

Seatheight:

42 cm | 16.54"

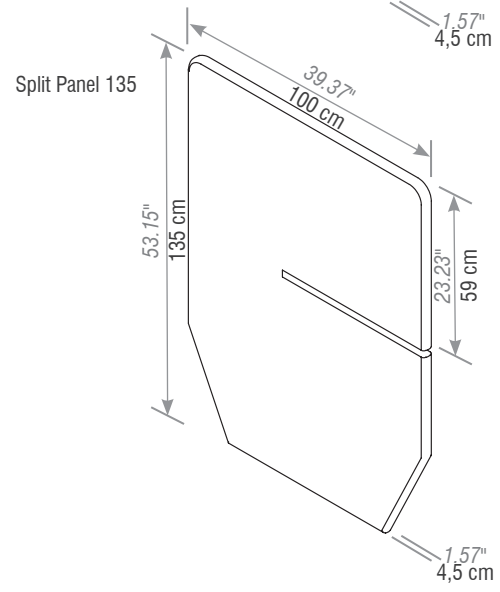
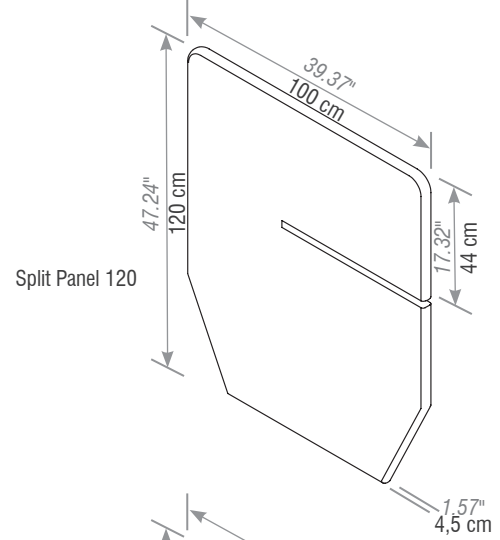
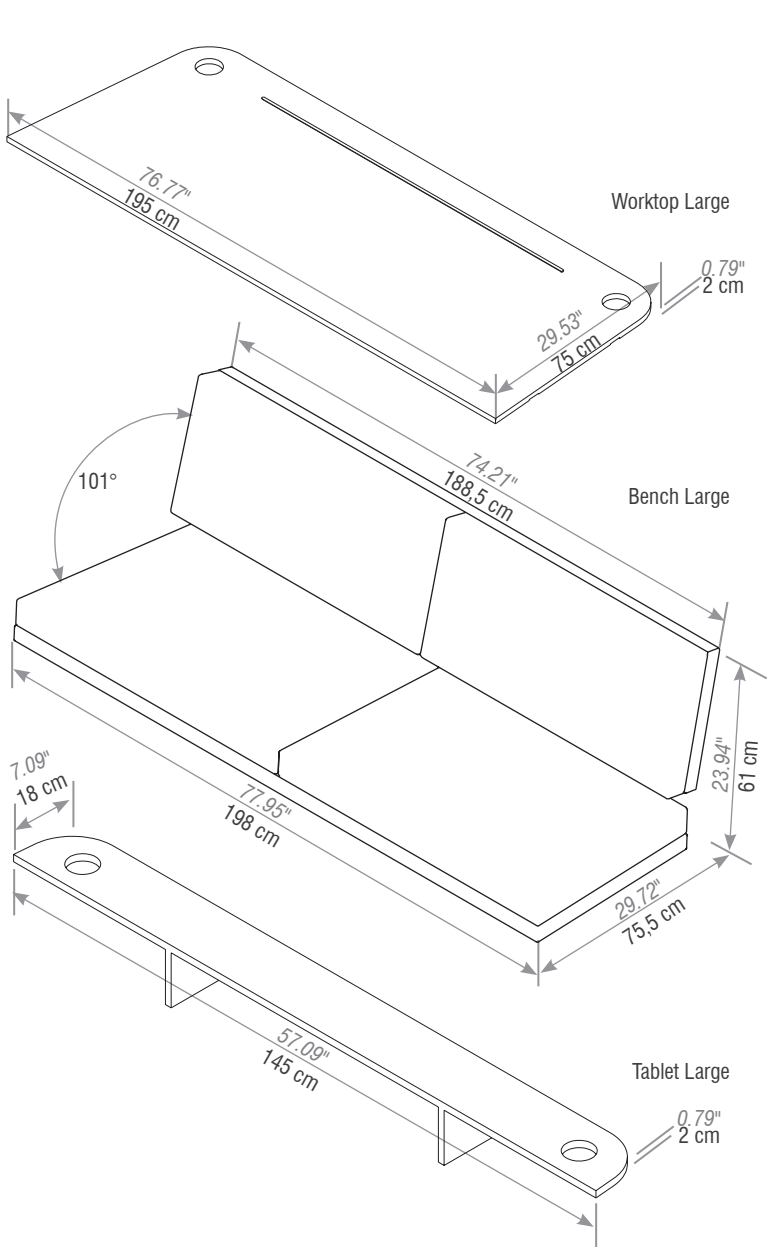


# BuzziVille | Dimensions & Weight

LARGE	Size:	Weight:
Worktop Large	75 x 195 x 2 cm 29.53 x 76.77 x 0.79"	22,1 kg 48.72 lbs
Split panel 120	100 x 119 x 4,5 cm 39.37 x 46.85 x 1.57"	
Split panel 135	100 x 134 x 4,5 cm 39.37 x 52.76 x 1.57"	
Bench Large	75,5 x 198 x 61 cm 29.72 x 77.95 x 23.94"	62 kg 136.69 lbs
Tablet Large	18 x 185 x 15 cm 7.09 x 72.83 x 5.91"	5,5 kg 12.13 lbs

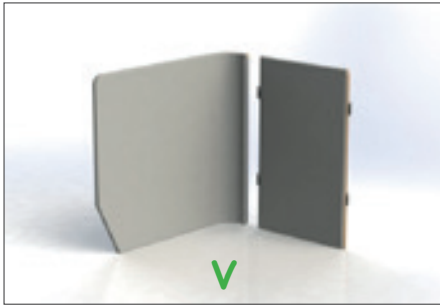
only in combination with Bench Large

- Cutout:  Ø 8 cm | Ø 3.15"
- Notch:  Ø 1 cm | Ø 0.39"
- Seatheight: 42 cm | 16.54"

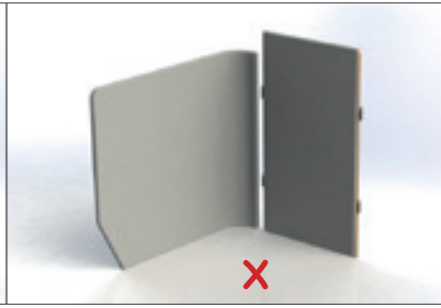


**BuzziVille | DO! ✓ or DON'T! ✗**

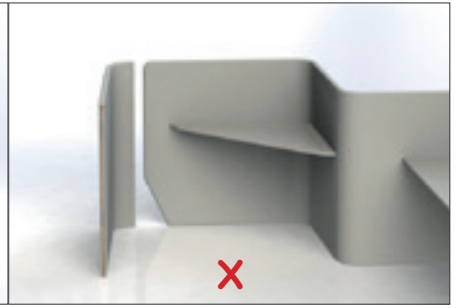
Start Stop Panel + Mid Panel



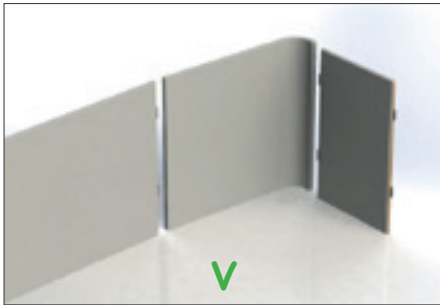
Start Stop H120 + Mid Panel H135



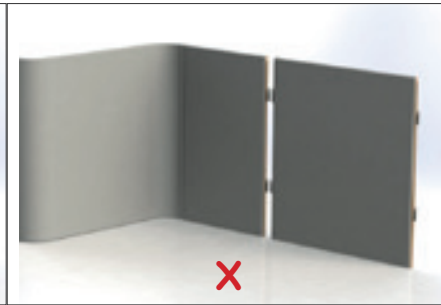
J-Connect + Start Stop



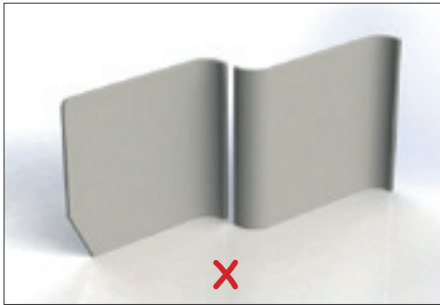
Mid Panel + J-Connect + Mid Panel



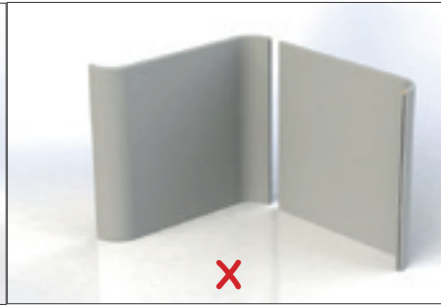
Mid Panel + Mid Panel



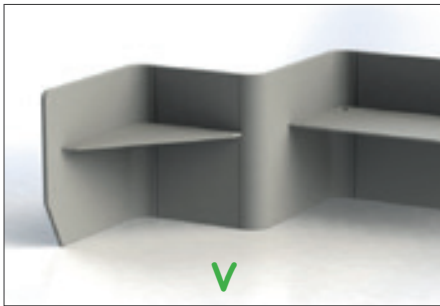
Start Stop Panel + S-Connect



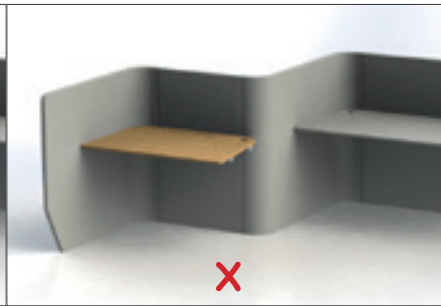
S-Connect + J-Connect



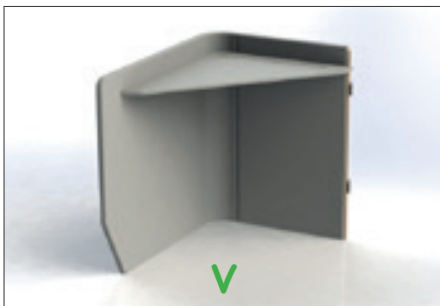
Mid Panel + S-Connect + Mid Panel



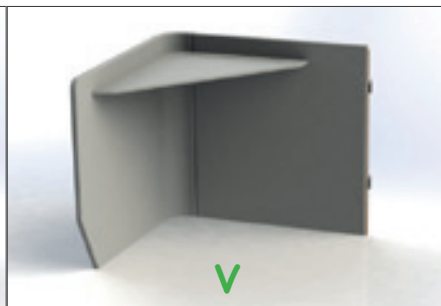
Worktop unsupported on one side



Worktop Triangle + Mid Panel Small



Worktop Triangle + Mid Panel Medium



Worktop Triangle + Mid Panel Large

